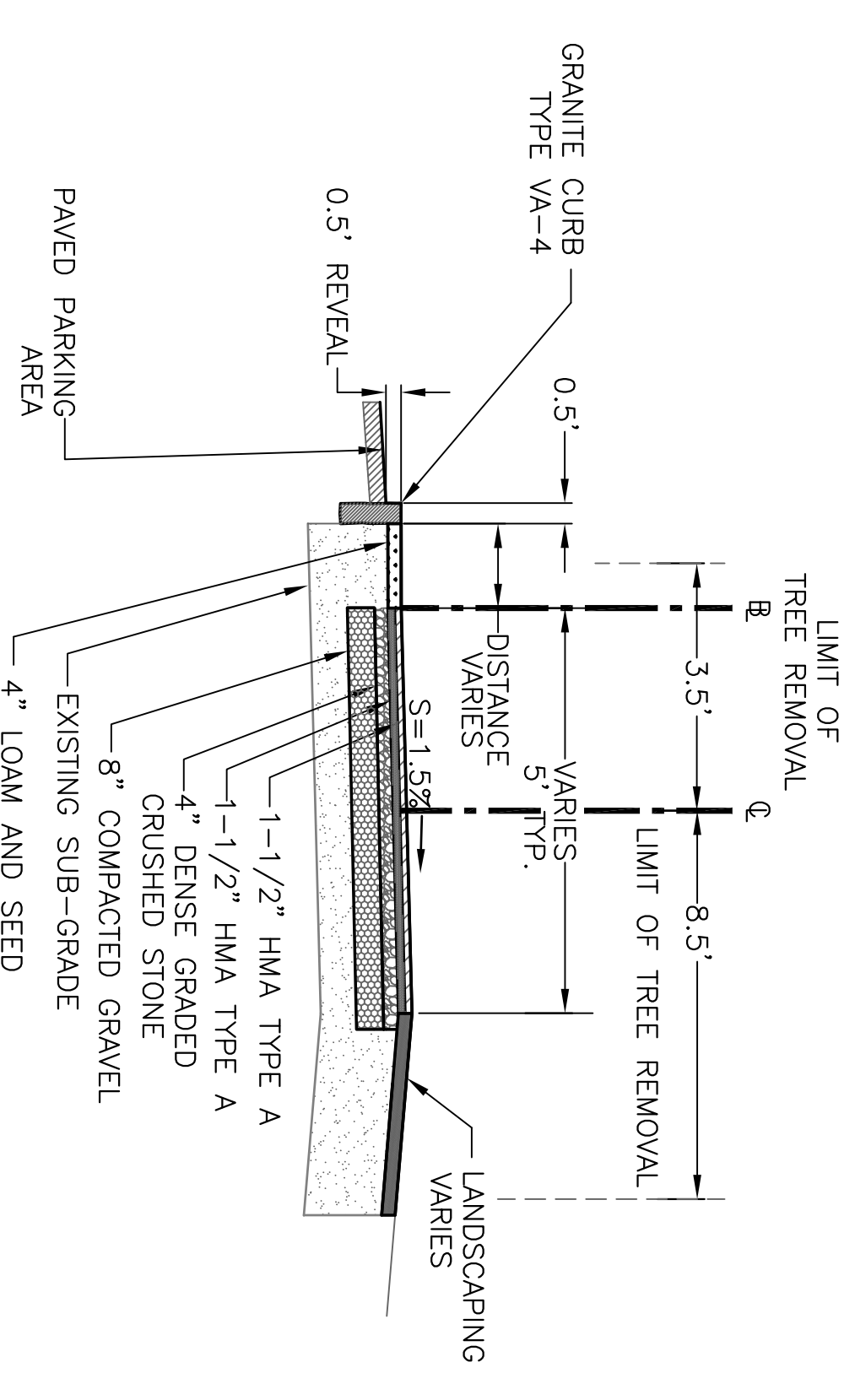
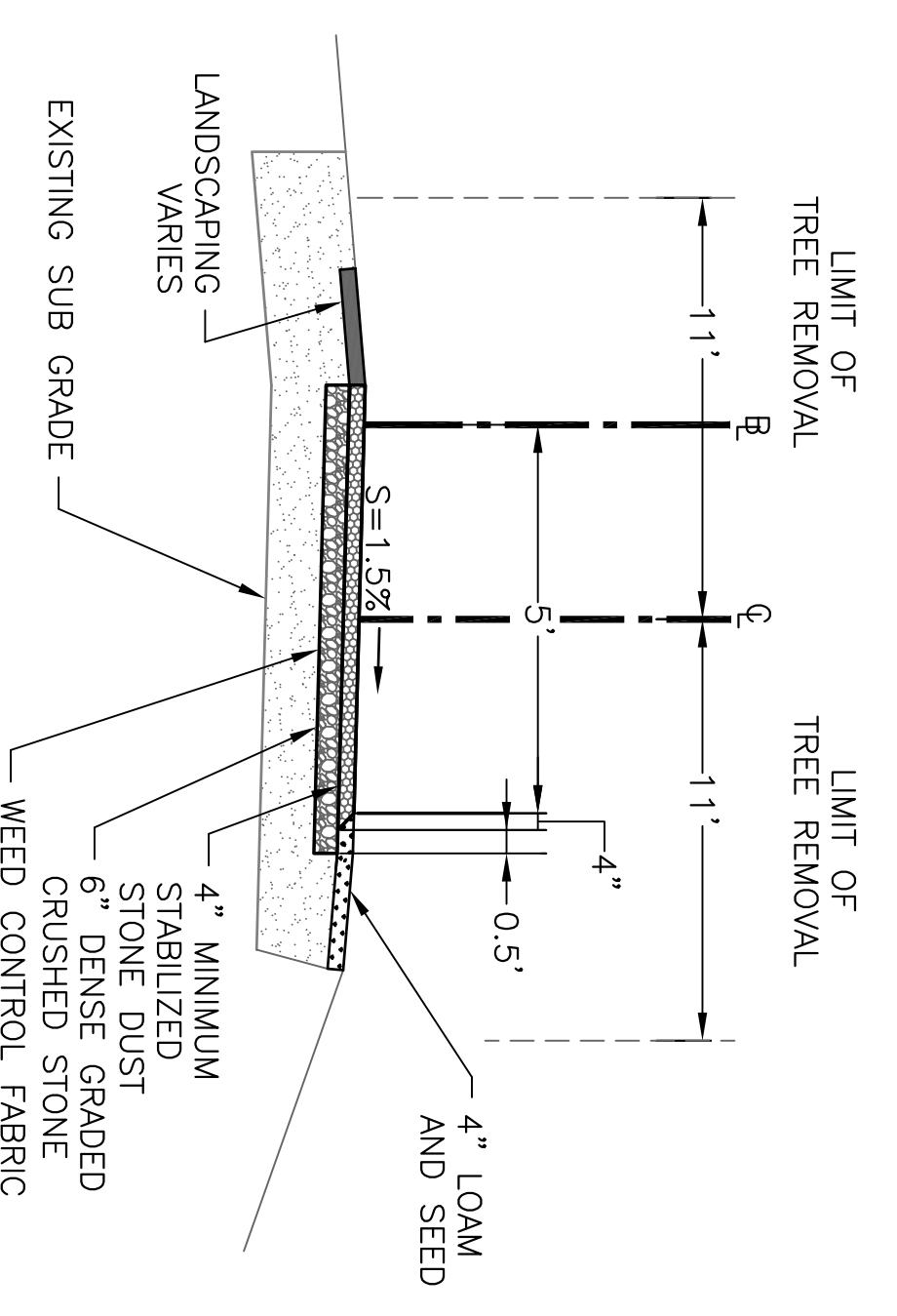


BILLERICA			
MIDDLESEX CANAL PARK			
STATE	FED. AID PROJ. NO.	SHEET NO.	TOTAL SHEETS
MASS		11	50
PROJECT FILE NO. 602946			

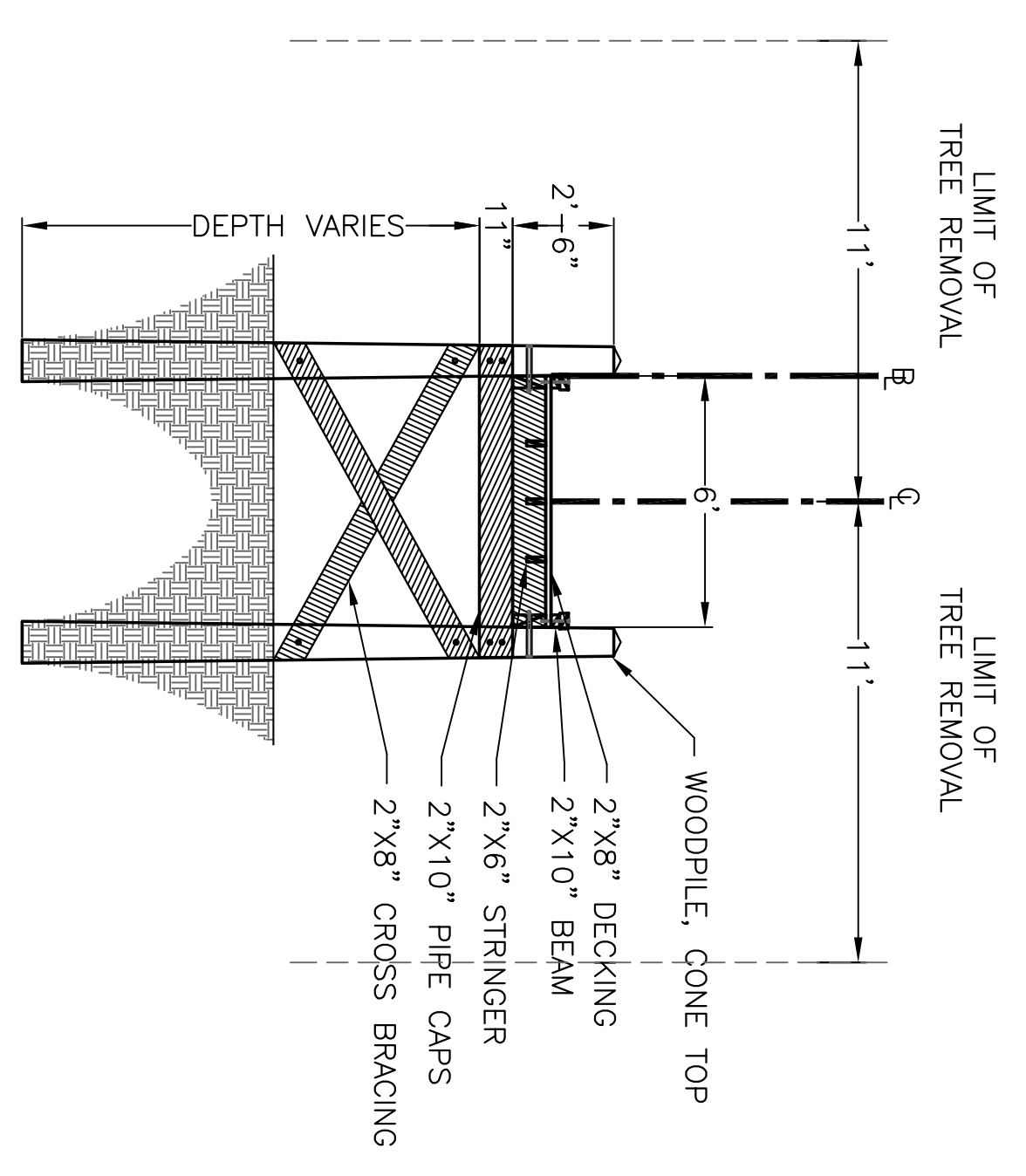
TYPICAL SECTIONS AREA 3



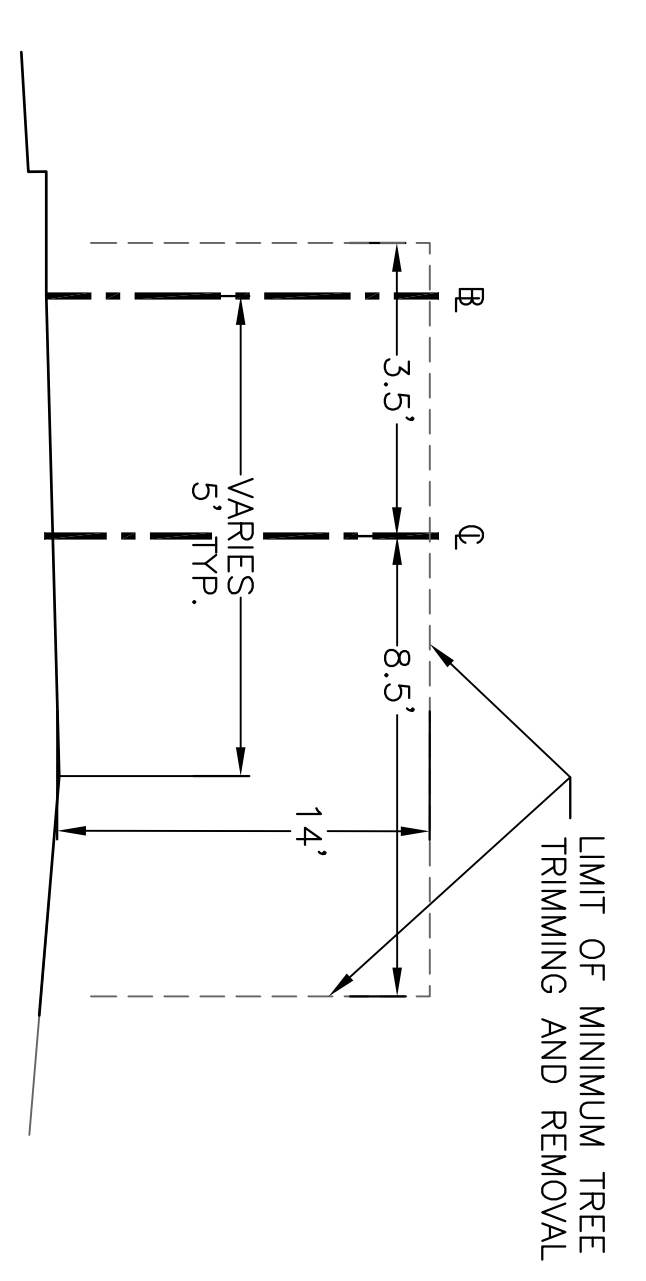
TYPICAL HOT MIXED ASPHALT SIDEWALK
CROSS SECTION STA 111+36 TO 111+69
AND 111+94 TO 112+77



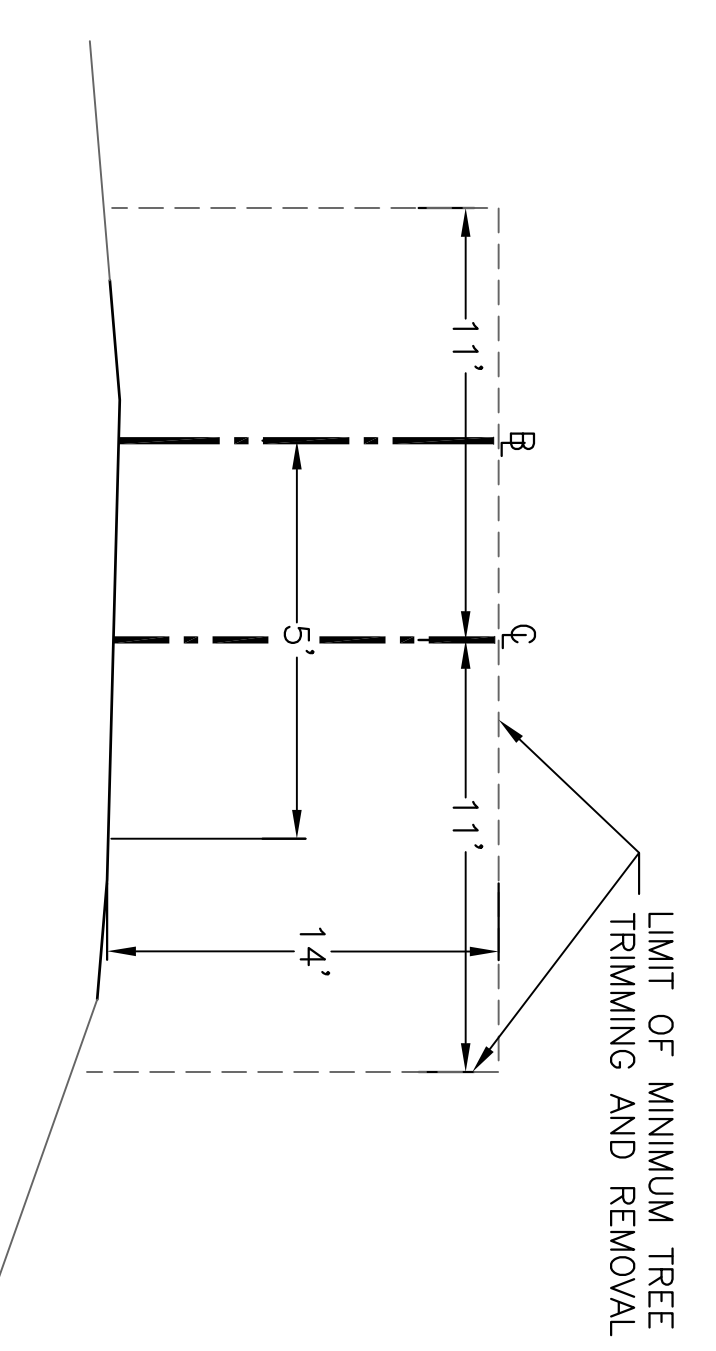
TYPICAL STONEDUST PATH
CROSS SECTION STA 113+00 TO 114+07



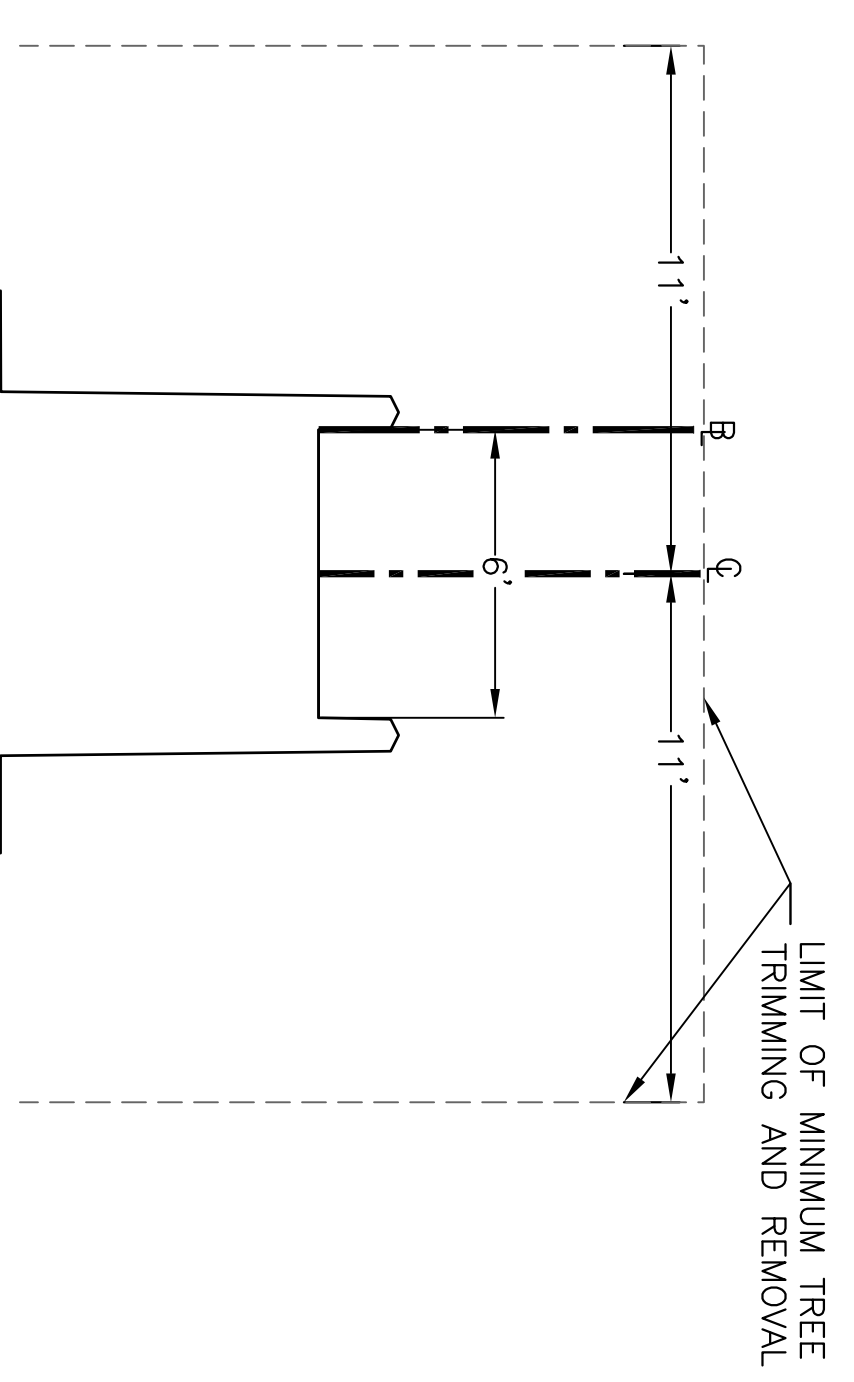
TYPICAL WOOD DOCK
CROSS SECTION STA 114+07 TO 114+44



TYPICAL HOT MIXED ASPHALT SIDEWALK
CLEARANCE STA 111+36 TO 111+69
AND 111+94 TO 112+77



TYPICAL STONEDUST PATH
CLEARANCE STA 113+00 TO 114+07



TYPICAL WOOD DOCK
CLEARANCE STA 114+07 TO 114+44

PAVEMENT NOTES

- FULL-DEPTH CROSSWALK AREA SECTIONS:
 SURFACE COURSE: 1-1/2" HMA TYPE A OVER
 INTERMEDIATE COURSE: 1-1/2" HMA TYPE A OVER
 BASE COURSE: 4" DENSE GRADED CRUSHED STONE OVER
 8" COMPACTED GRAVEL
- FULL-DEPTH STONEDUST PATH SECTIONS:
 SURFACE COURSE: 4" MINIMUM STABILIZED STONEDUST OVER
 BASE MATERIAL: 6" DENSE GRADED CRUSHED STONE