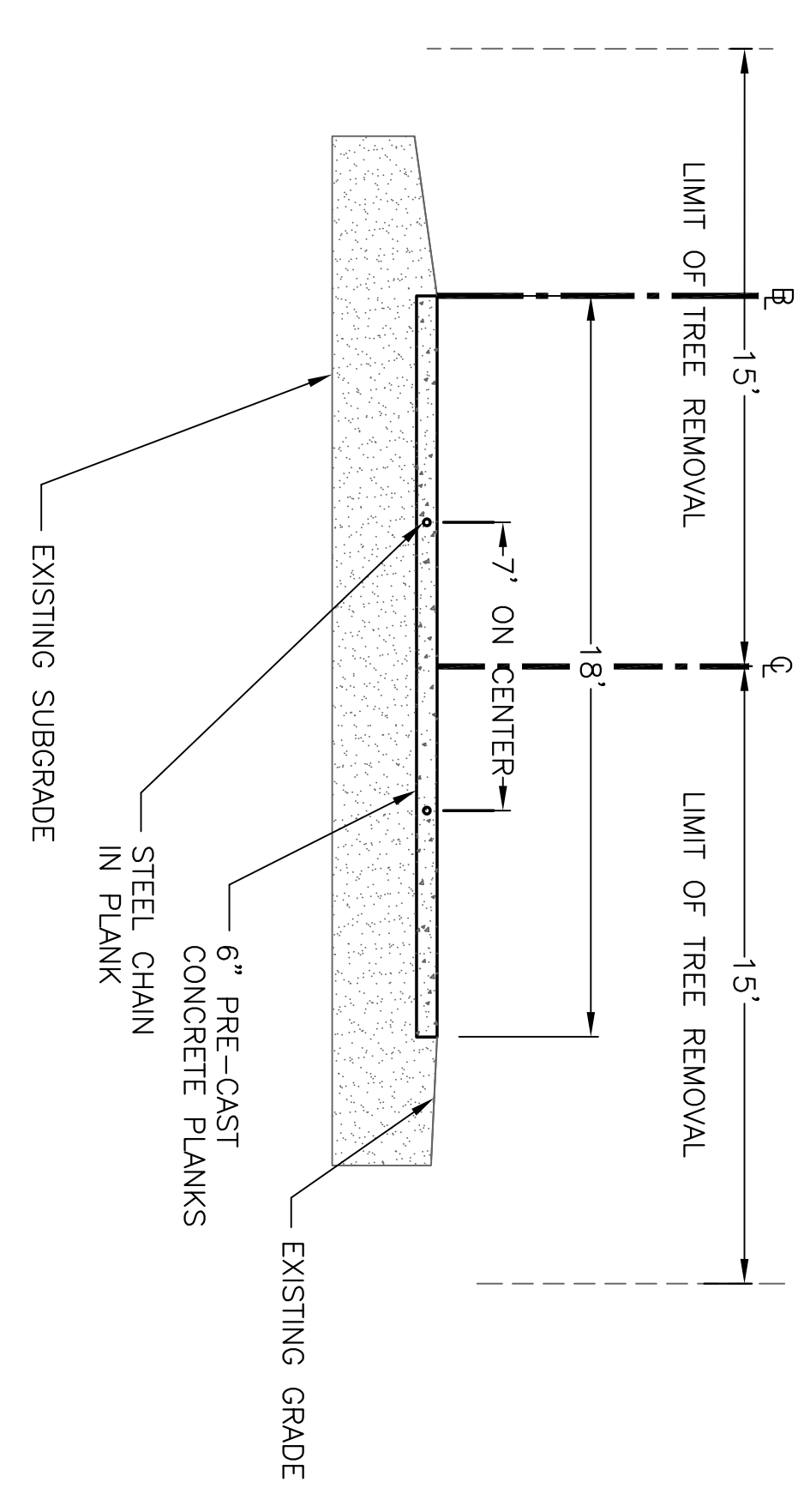
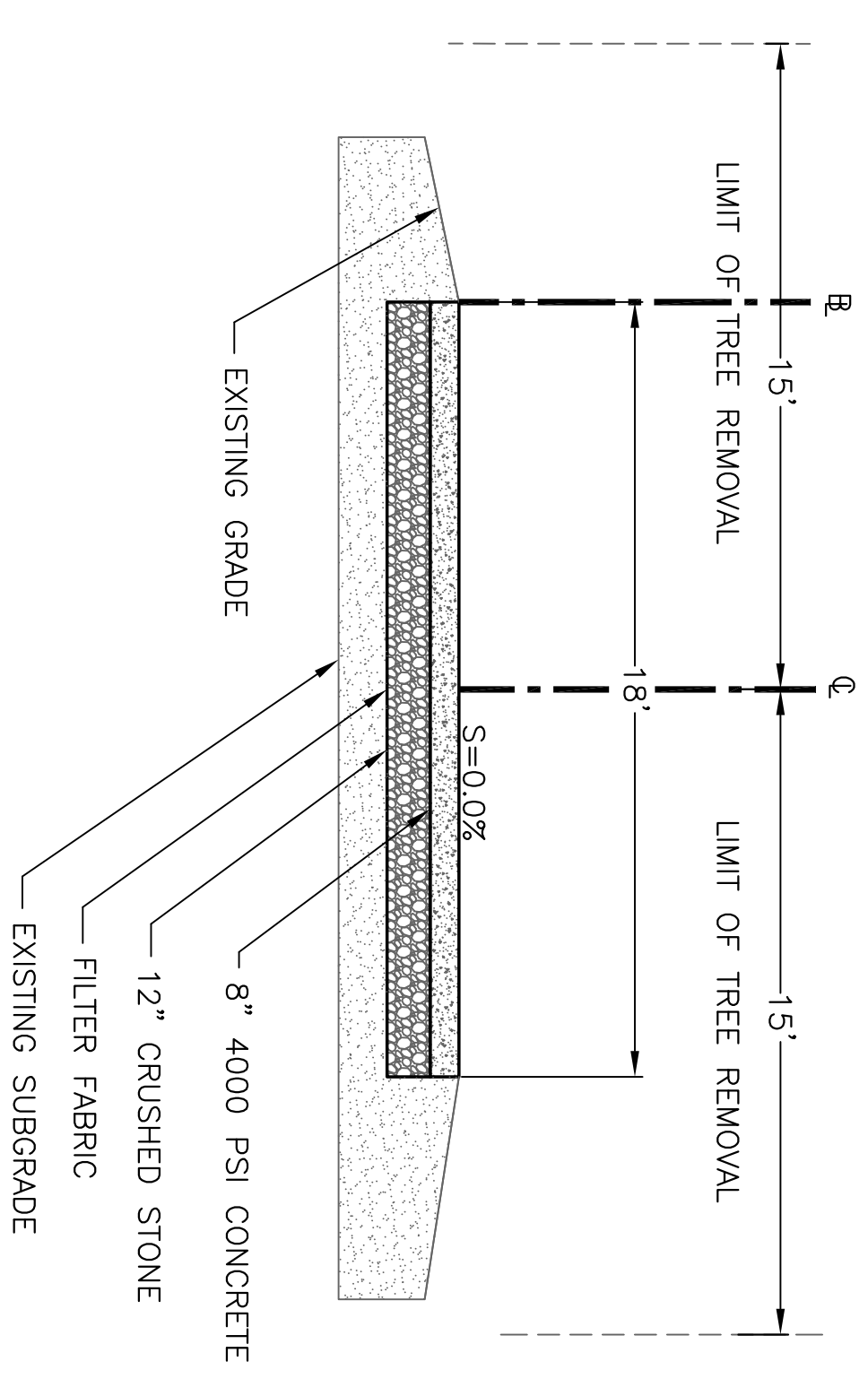


BILERICA			
MIDDLESEX CANAL PARK			
STATE	FED. AID PROJ. NO.	SHEET NO.	TOTAL SHEETS
MASS		12	50
PROJECT FILE NO. 602946			

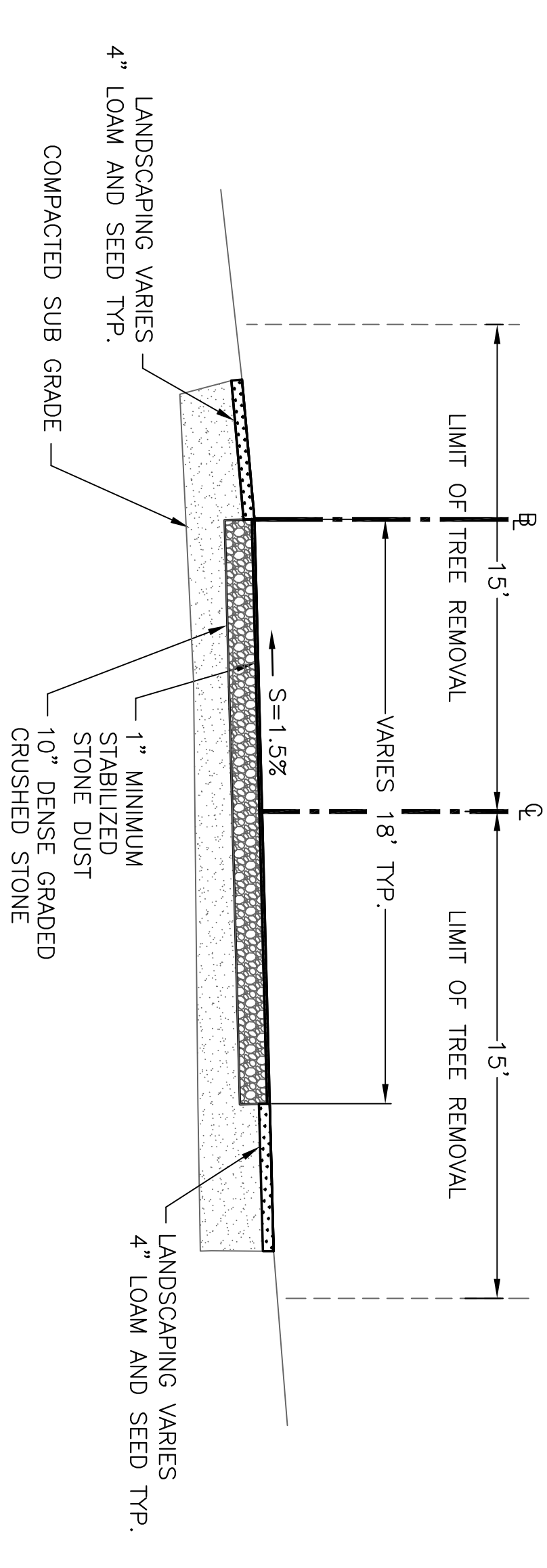
TYPICAL SECTIONS AREA 3



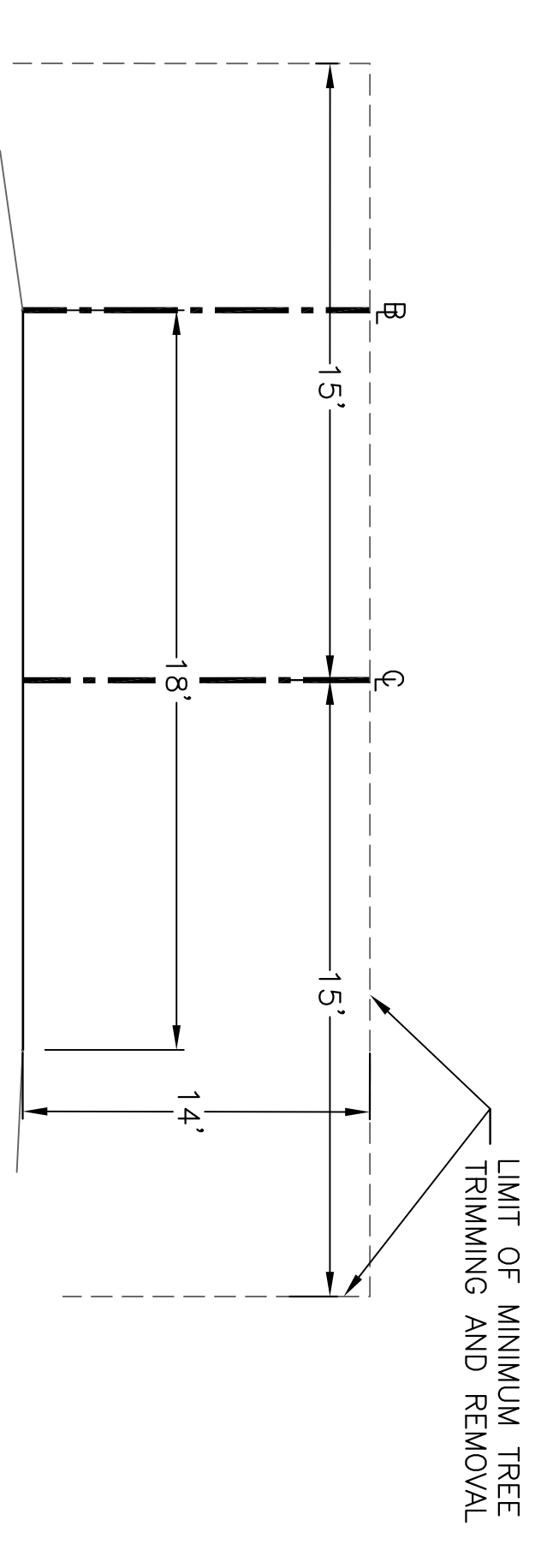
TYPICAL PRE-CAST CONCRETE PLANKS
CROSS SECTION STA 115+00 TO 115+31



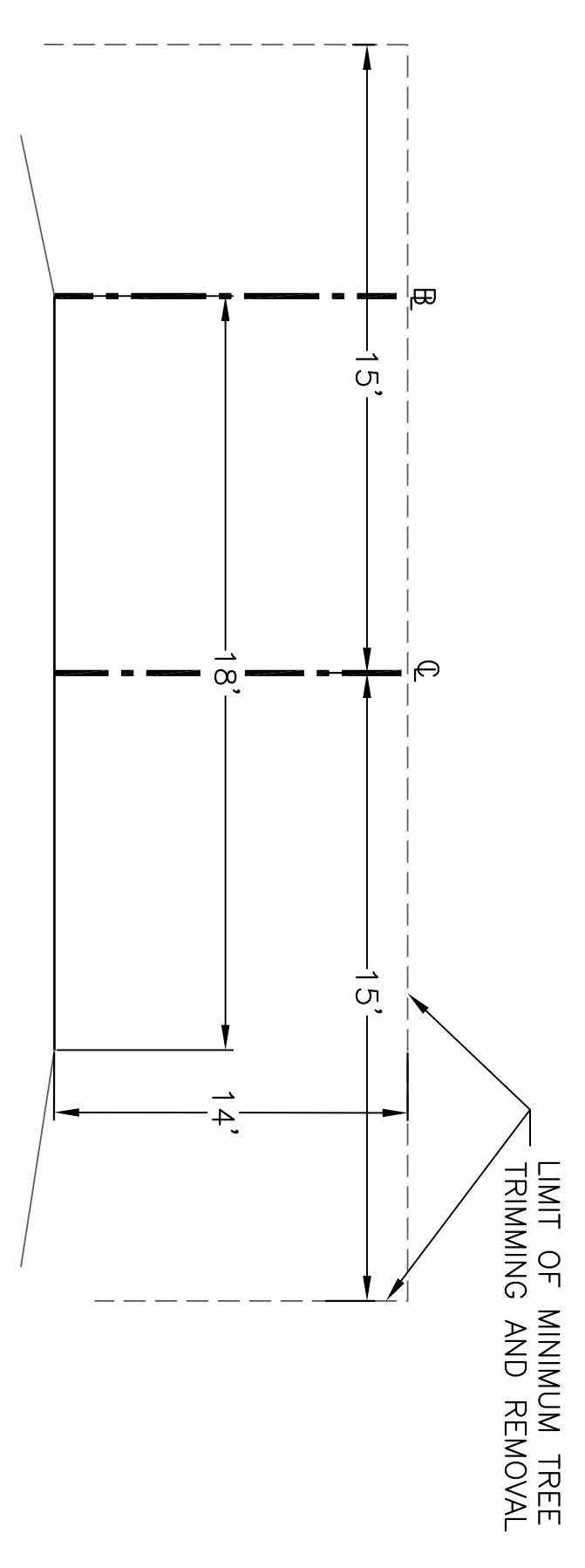
TYPICAL CEMENT CONCRETE PAVEMENT
CROSS SECTION STA 115+31 TO 115+80



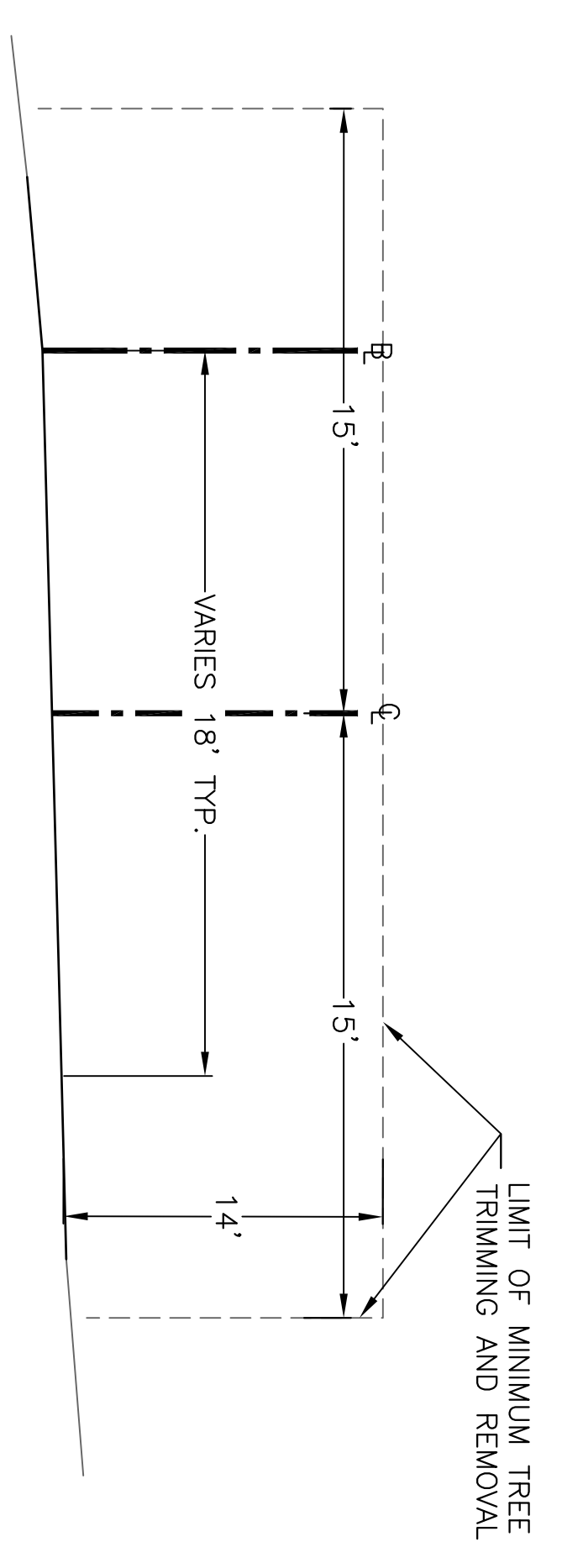
TYPICAL STONEDUST/GRAVEL DRIVE
CROSS SECTION STA 115+80 TO 116+89



TYPICAL PRE-CAST CONCRETE PLANKS
CLEARANCE STA 115+00 TO 115+31



TYPICAL CEMENT CONCRETE PAVEMENT
CLEARANCE STA 115+31 TO 115+80



TYPICAL STONEDUST/GRAVEL DRIVE
CLEARANCE STA 115+80 TO 116+89

PAVEMENT NOTES

- FULL-DEPTH CEMENT CONCRETE PAVEMENT SECTIONS:
SURFACE COURSE: 8" 4000 PSI CONCRETE OVER
- BASE MATERIAL: 12" DENSE GRADED CRUSHED STONE
- FULL-DEPTH STONEDUST/GRAVEL DRIVE SECTIONS:
SURFACE COURSE: 1" MINIMUM STABILIZED STONEDUST OVER
- BASE COURSE: 10" DENSE GRADED CRUSHED STONE