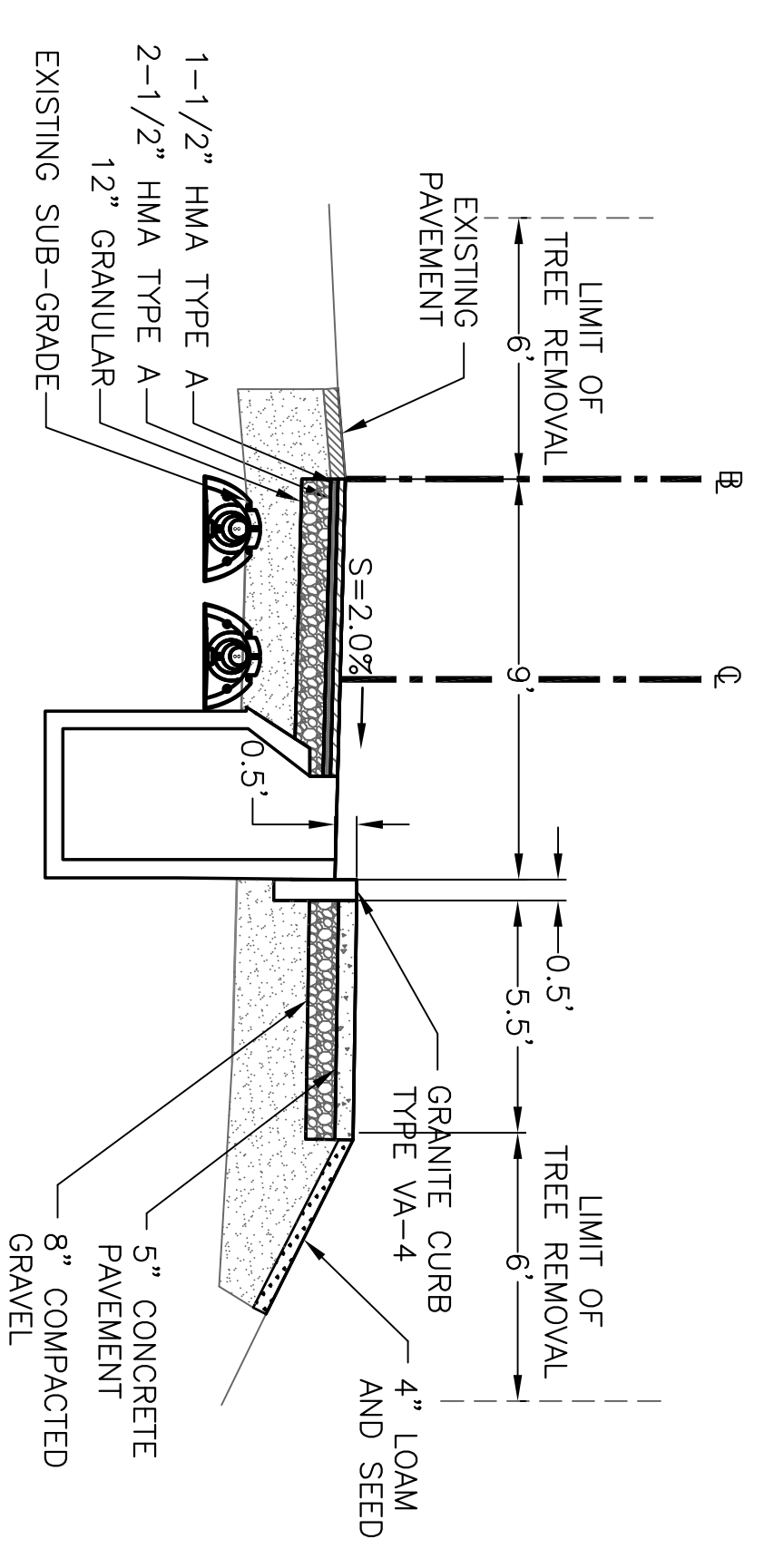
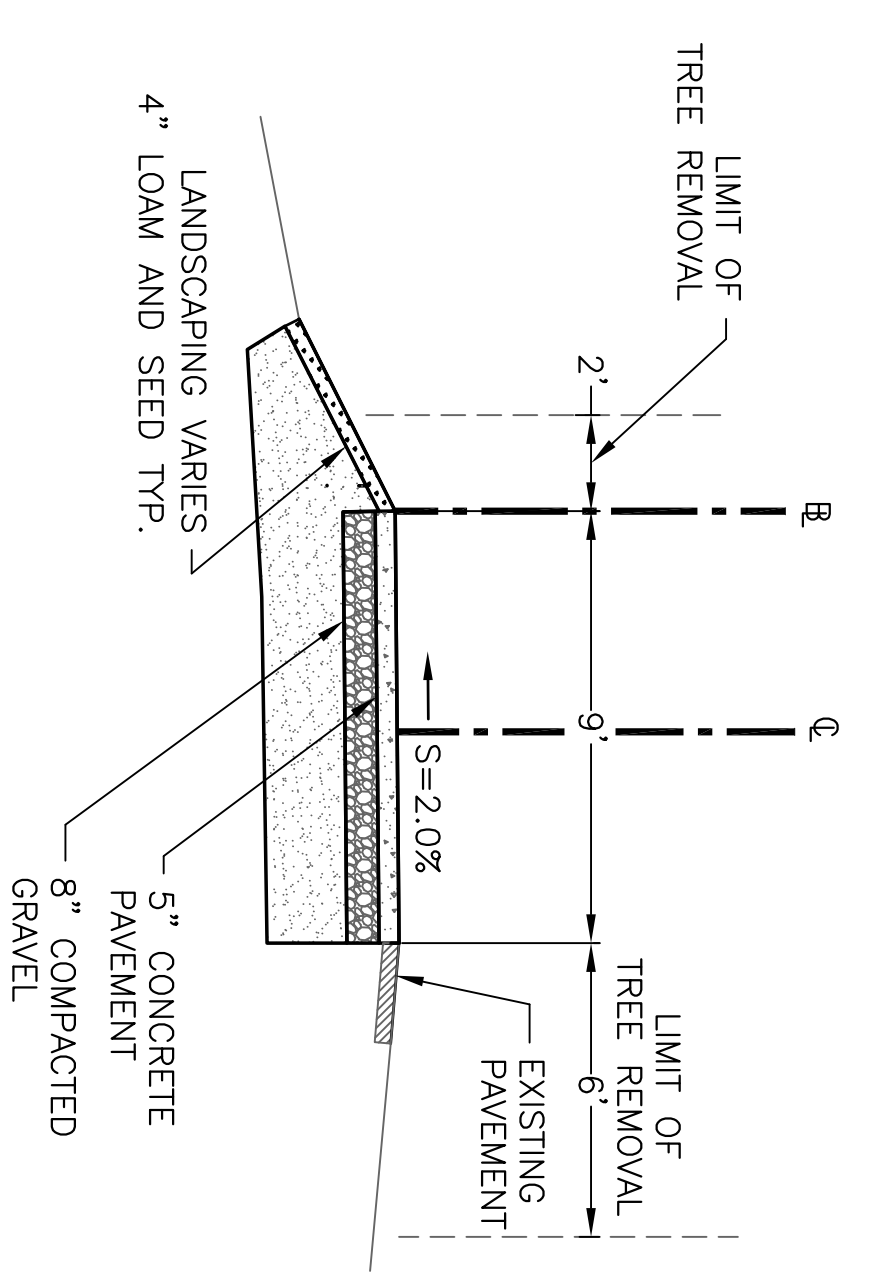


BILERICA			
MIDDLESEX CANAL PARK			
STATE	FED. AID PROJ. NO.	SHEET NO.	TOTAL SHEETS
MASS		14	50
PROJECT FILE NO. 602946			

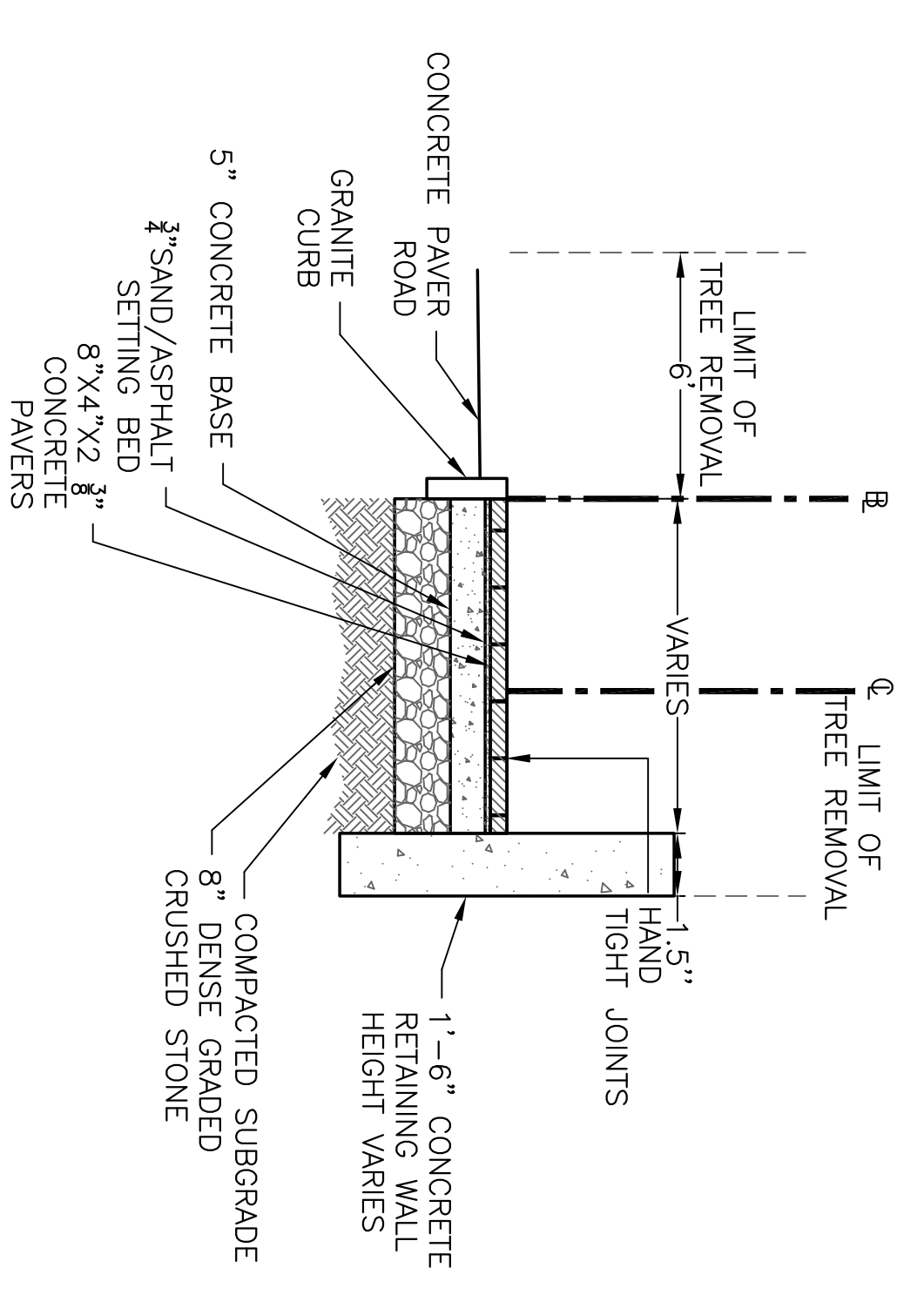
TYPICAL SECTIONS AREA 4



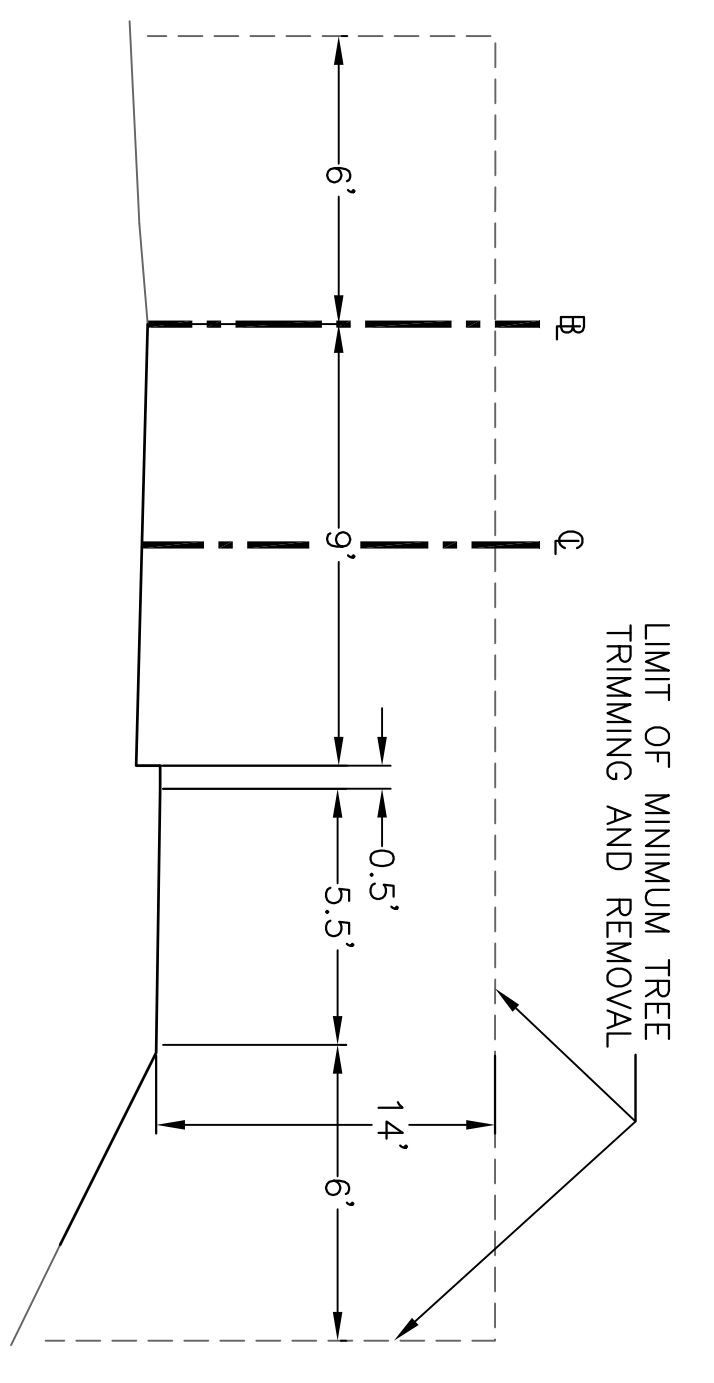
TYPICAL HOT MIXED ASPHALT PARKING AREA
AND CONCRETE SIDEWALK
CROSS SECTION STA 200+00 TO 201+61



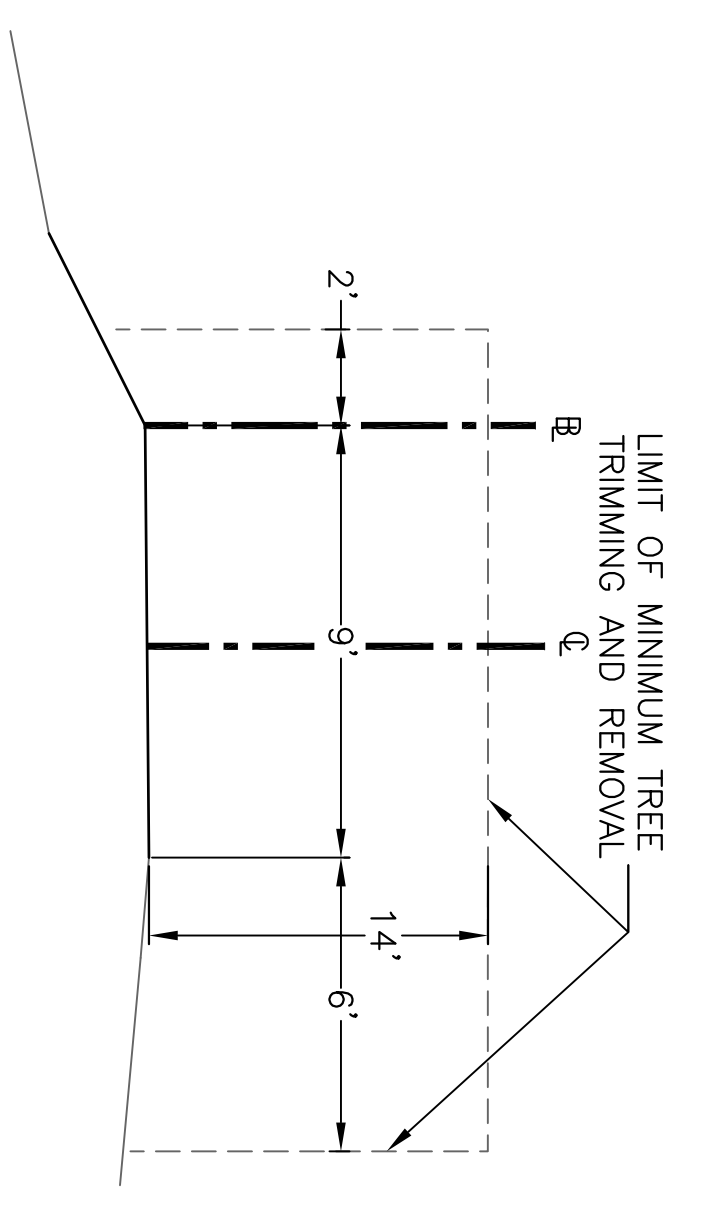
TYPICAL CEMENT CONCRETE SIDEWALK
CROSS SECTION STA 201+61 TO 201+93



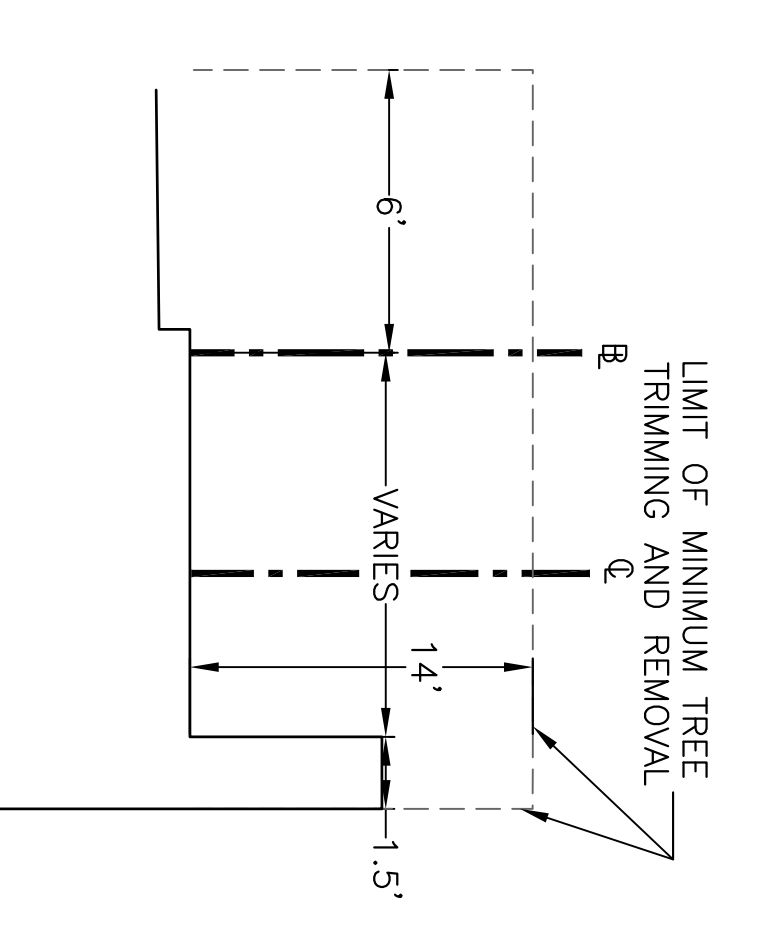
TYPICAL CONCRETE PAVERS
CROSS SECTION STA 201+93 TO 202+59



TYPICAL HOT MIXED ASPHALT PARKING AREA
AND CONCRETE SIDEWALK
CLEARANCE STA 200+00 TO 201+61



TYPICAL CEMENT CONCRETE SIDEWALK
CLEARANCE STA 201+61 TO 201+93



TYPICAL CONCRETE PAVERS
CLEARANCE STA 201+93 TO 202+59

PAVEMENT NOTES

- FULL-DEPTH HOT MIXED ASPHALT PARKING AREA SECTIONS:
- SURFACE COURSE: 1-1/2" HMA TYPE A OVER
- INTERMEDIATE COURSE: 2-1/2" HMA TYPE A OVER
- BASE COURSE: 12" GRANULAR
- FULL-DEPTH CEMENT CONCRETE SIDEWALK SECTIONS:
- SURFACE COURSE: 5" CONCRETE OVER
- BASE COURSE: 8" COMPACTED GRAVEL
- FULL-DEPTH CONCRETE PAVERS SECTIONS:
- SURFACE COURSE: 4" CONCRETE PAVERS OVER
- BASE COURSE: 3/4" SAND/ASPHALT BEDDING OVER
- 5" CONCRETE BASE OVER
- 8" DENSE GRADED CRUSHED STONE