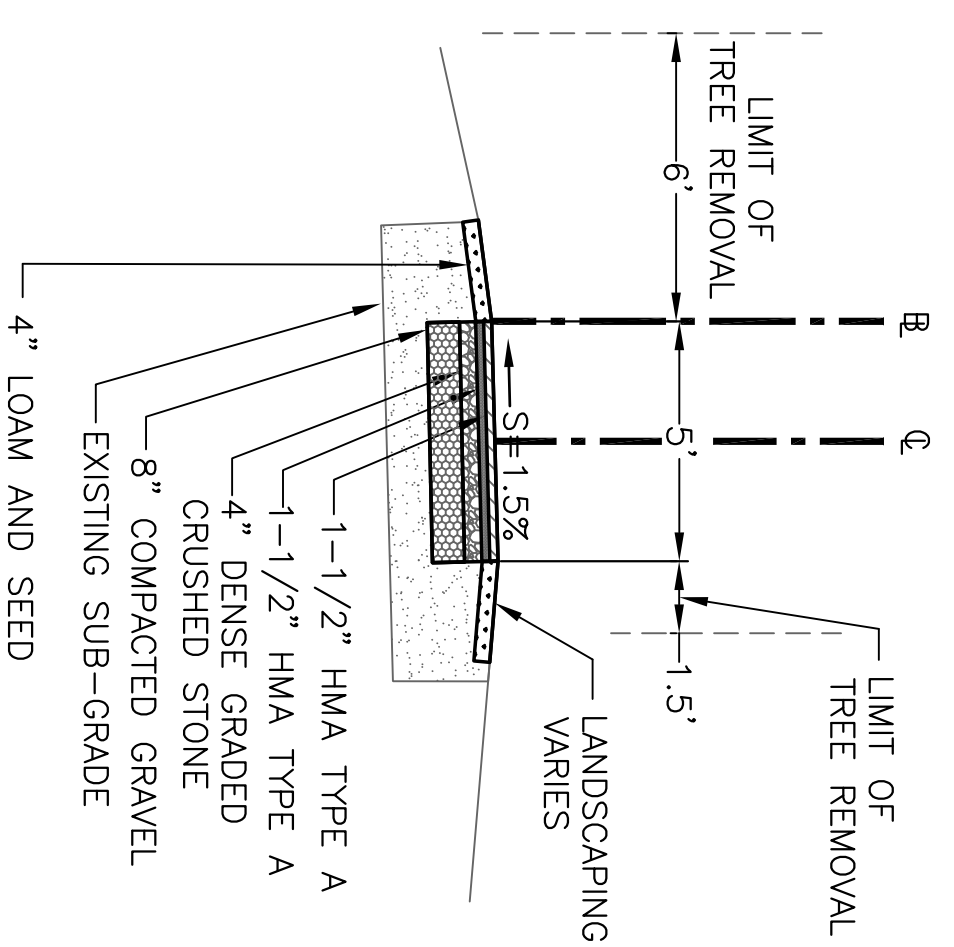
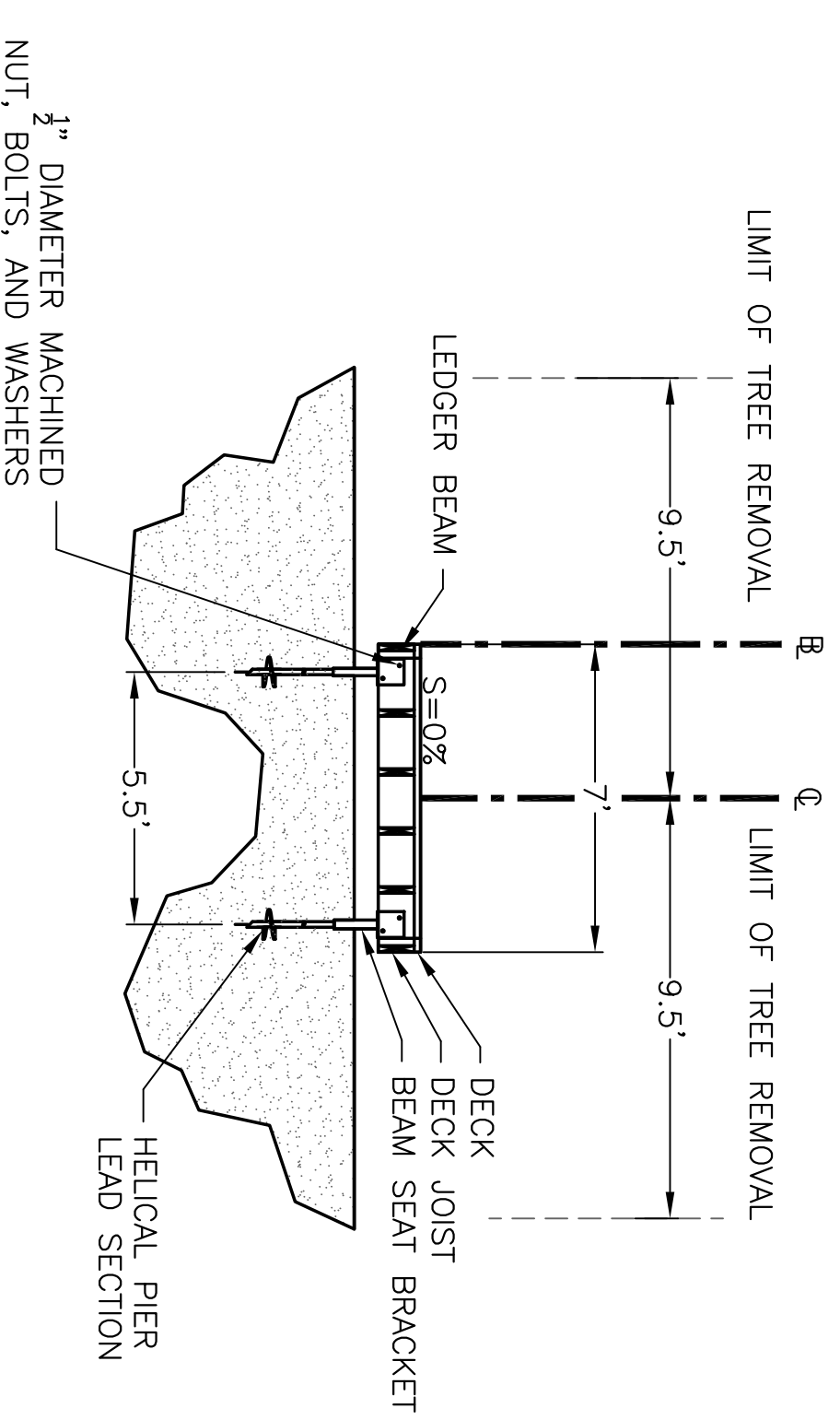


BILERICA			
MIDDLESEX CANAL PARK			
STATE	FED. AID PROJ. NO.	SHEET NO.	TOTAL SHEETS
MASS		15	50
PROJECT FILE NO. 602946			

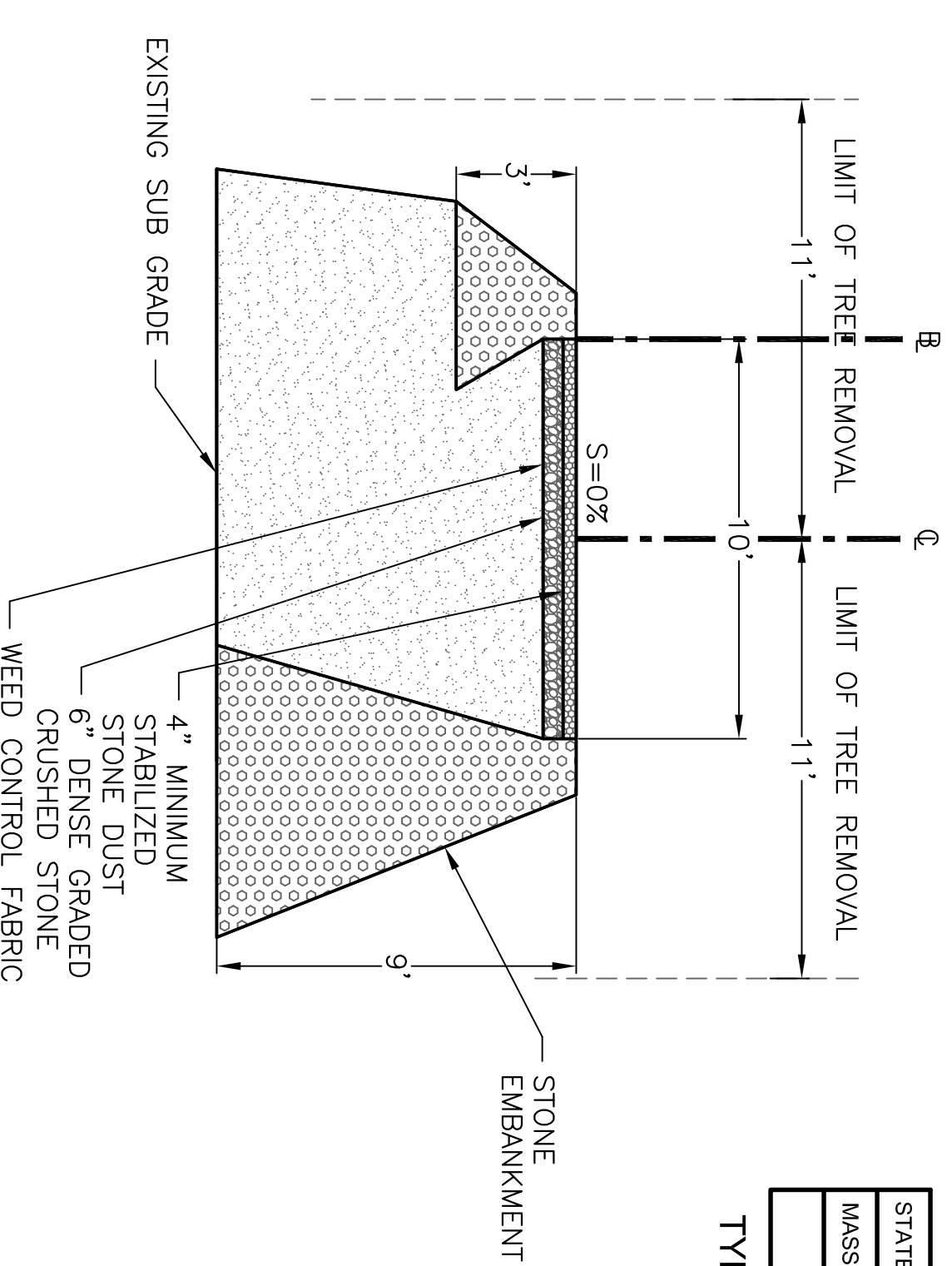
TYPICAL SECTIONS AREA 4



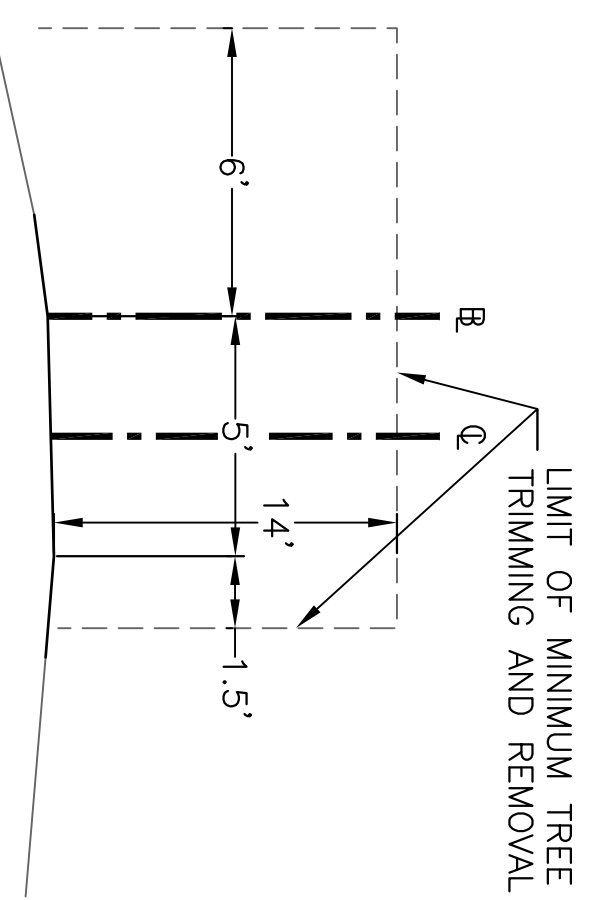
TYPICAL HOT MIXED ASPHALT WALKWAY
CROSS SECTION STA 202+59 TO 203+48



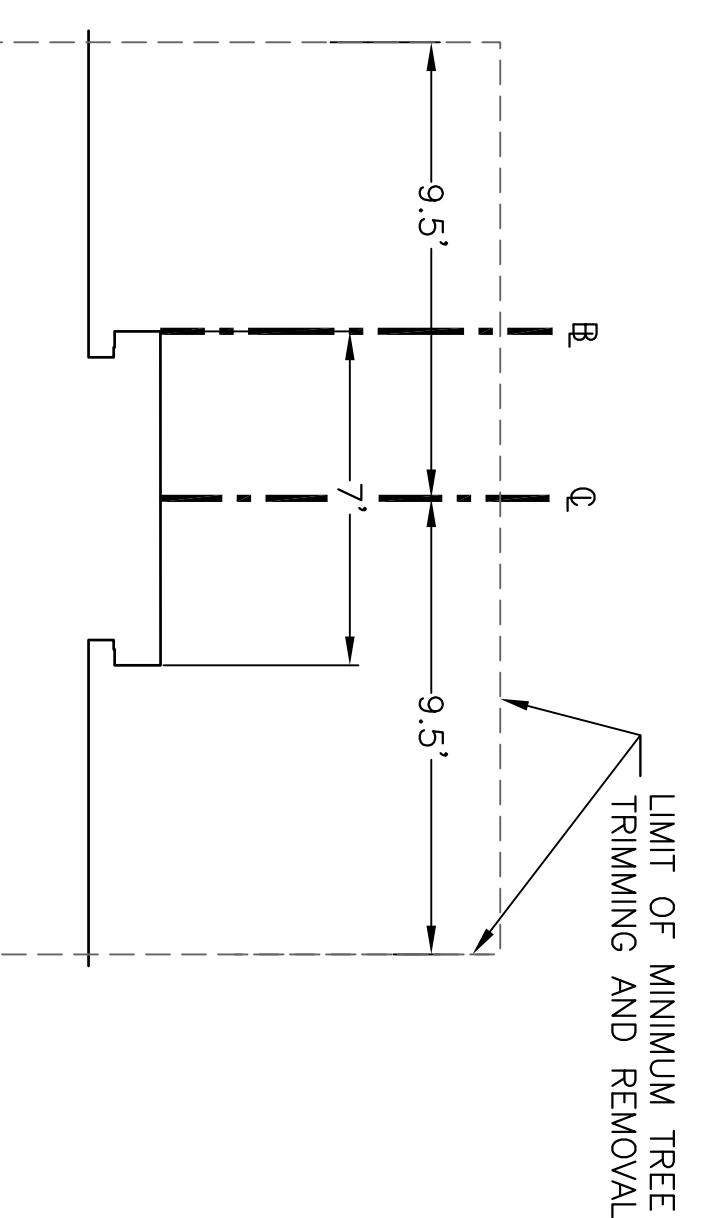
TYPICAL WOODEN BOARDWALK
CROSS SECTION STA 203+48 TO 205+52



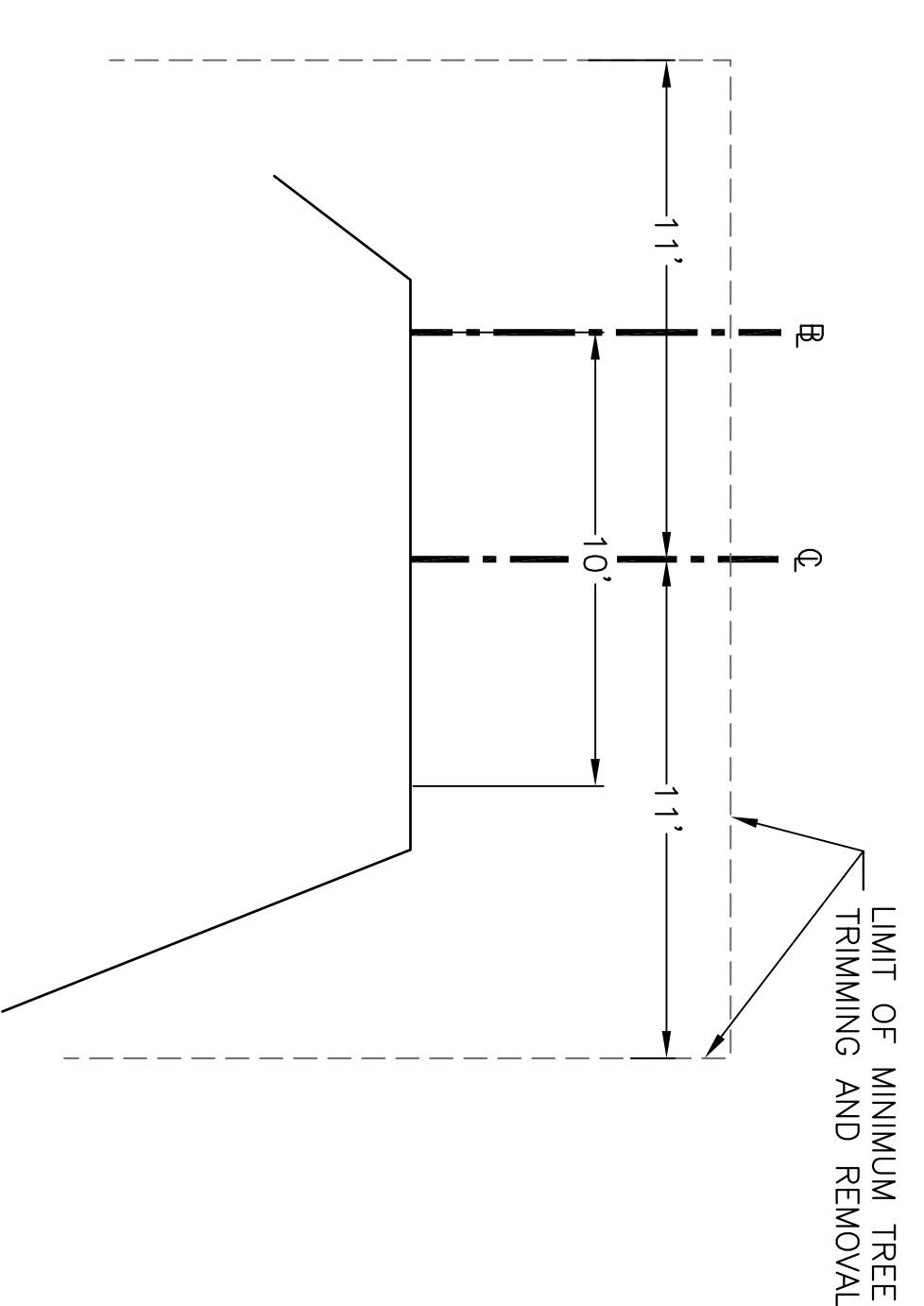
TYPICAL STABILIZED STONEDUST PATH
CROSS SECTION STA 205+52 TO 207+78



TYPICAL HOT MIXED ASPHALT WALKWAY
CLEARANCE STA 202+59 TO 203+48



TYPICAL WOODEN BOARDWALK
CLEARANCE STA 203+48 TO 205+52



TYPICAL STABILIZED STONEDUST PATH
CLEARANCE STA 205+52 TO 207+78

PAVEMENT NOTES

- FULL-DEPTH HOT MIXED ASPHALT WALKWAY SECTIONS:
 SURFACE COURSE: 1-1/2" HMA TYPE A OVER
 INTERMEDIATE COURSE: 1-1/2" HMA TYPE A OVER
 BASE COURSE: 4" DENSE GRADED CRUSHED STONE
- FULL-DEPTH STABILIZED STONEDUST PATH SECTIONS:
 SURFACE COURSE: 4" STABILIZED STONEDUST
 INTERMEDIATE COURSE: 8" COMPACTED GRAVEL
 BASE COURSE: 6" DENSE GRADED CRUSHED STONE