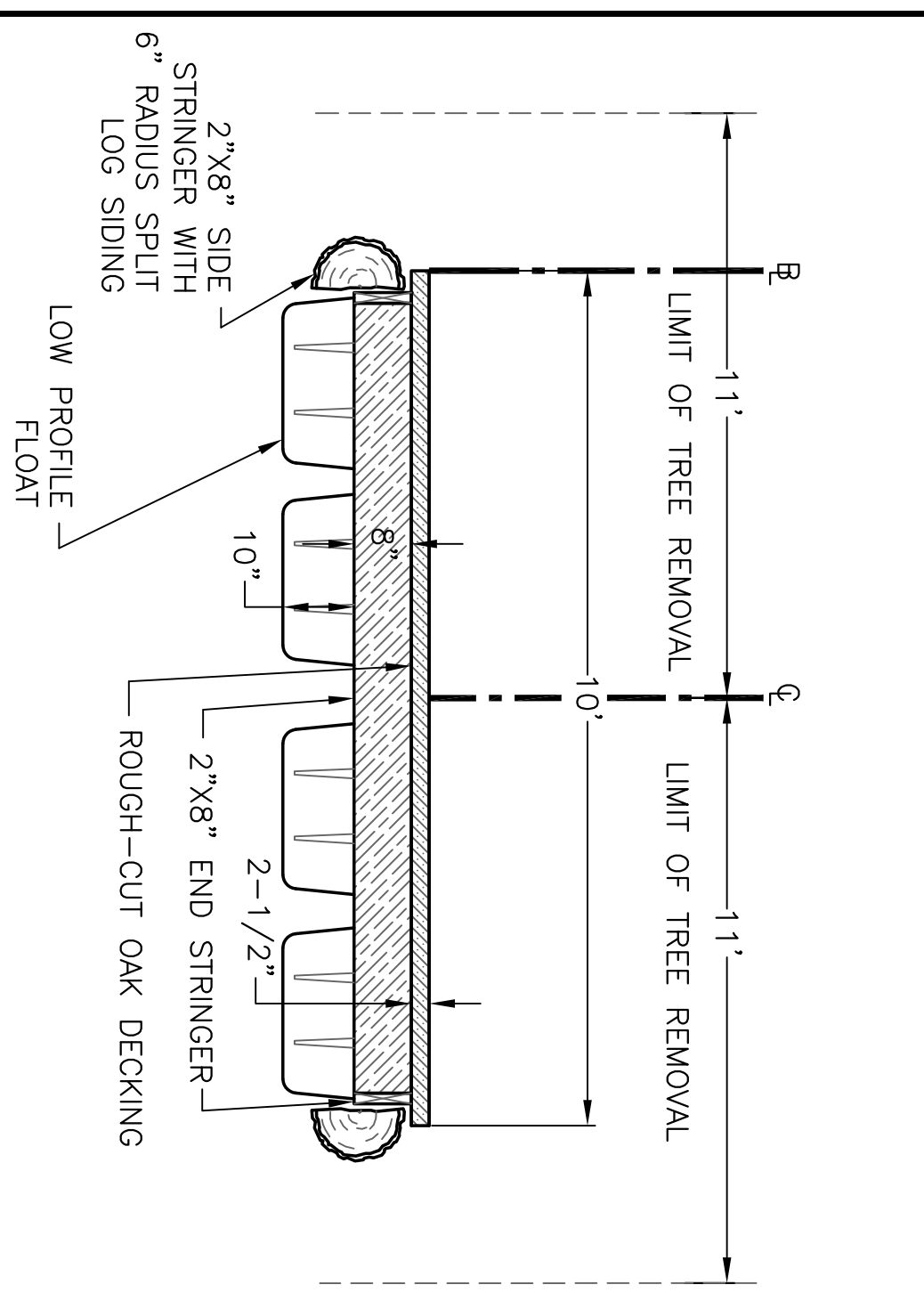
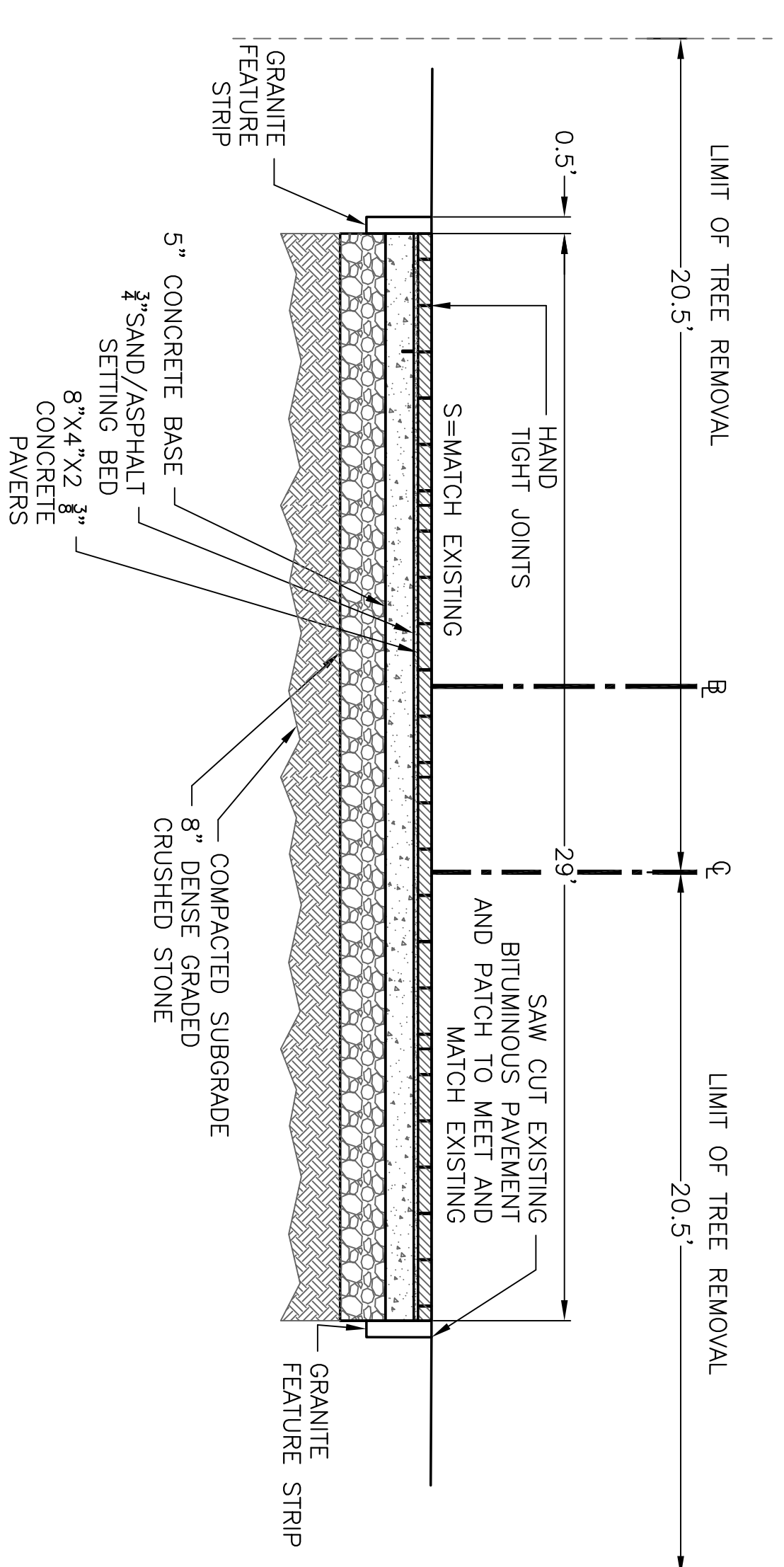


MIDDLESEX CANAL PARK			
BILLERICA			
STATE	FED. AID PROJ. NO.	SHEET TOTAL	
MASS		NO. SHEETS	16
			50
PROJECT FILE NO. 602946			

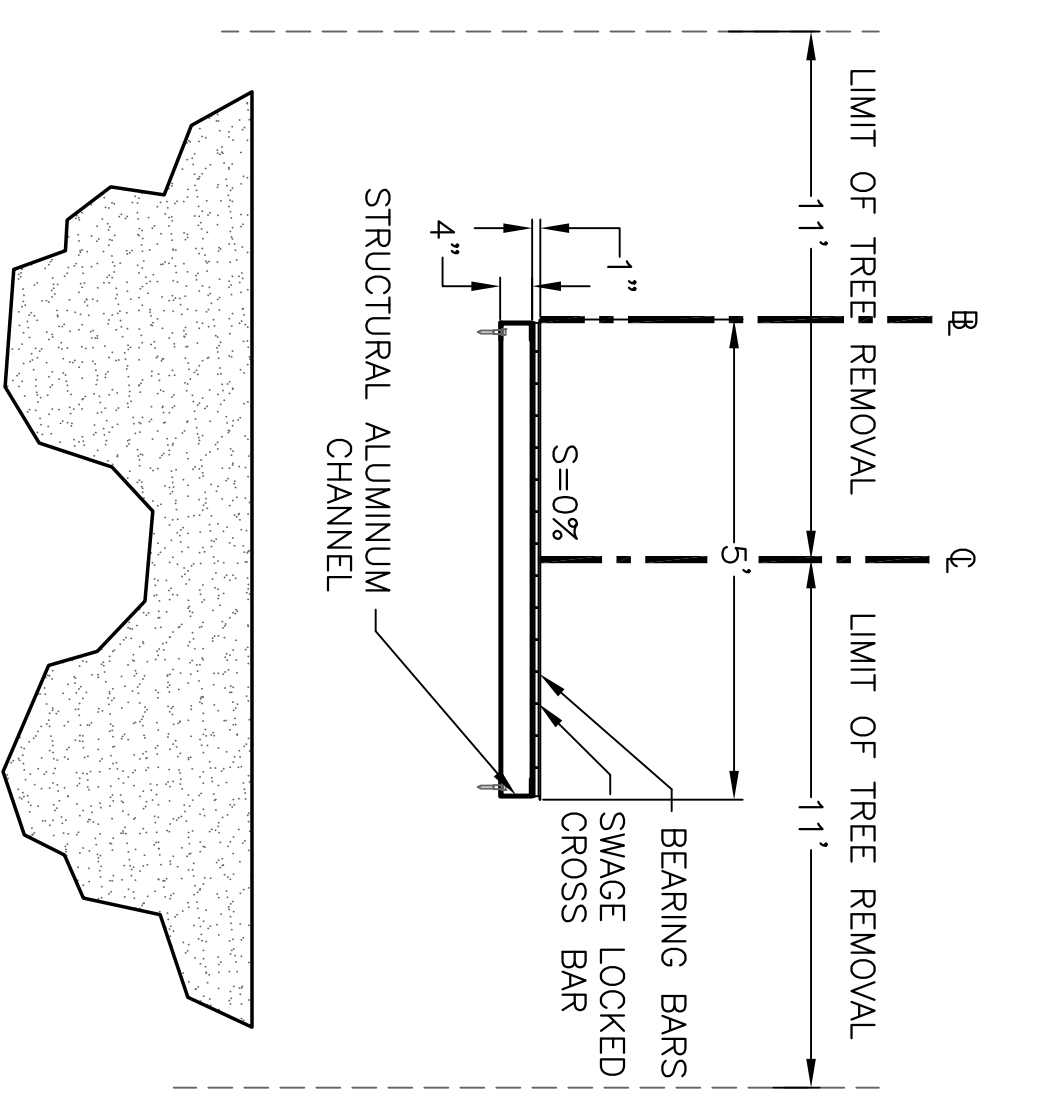
TYPICAL SECTIONS AREA 4



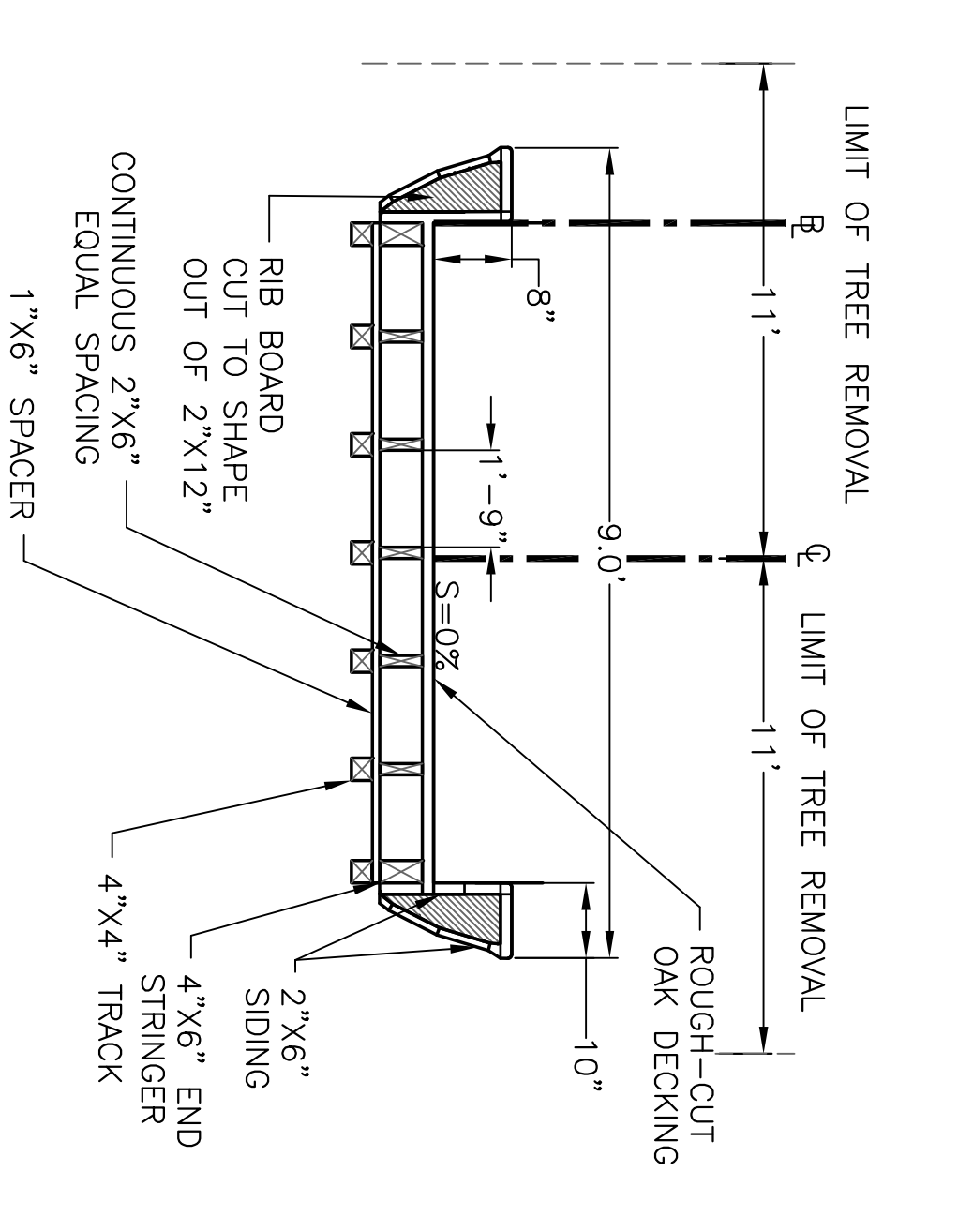
TYPICAL FLOATING TOWPATH
CROSS SECTION STA
207+78 TO 208+11



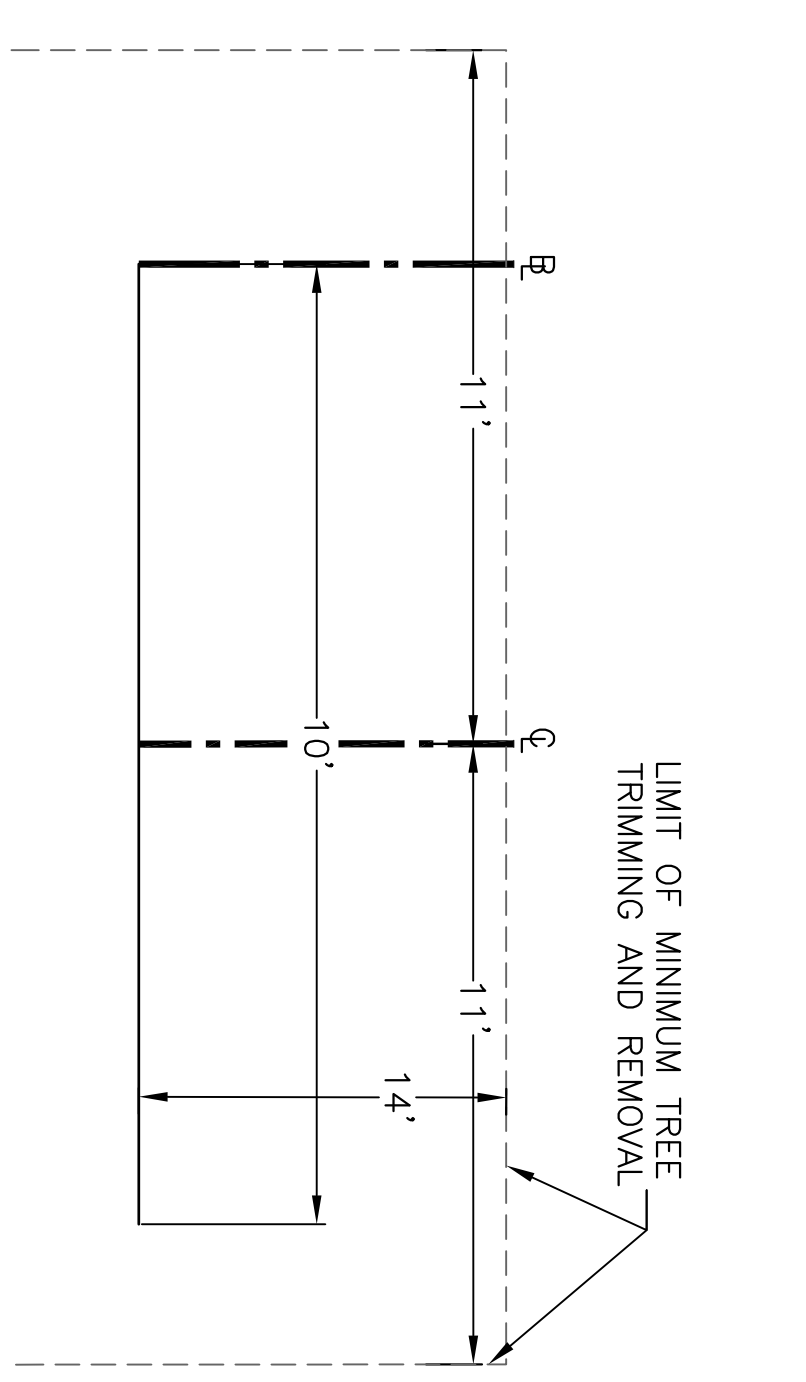
TYPICAL CANAL BOAT GRAPHIC IN PAVING
CROSS SECTION
STA 209+00 TO 209+67



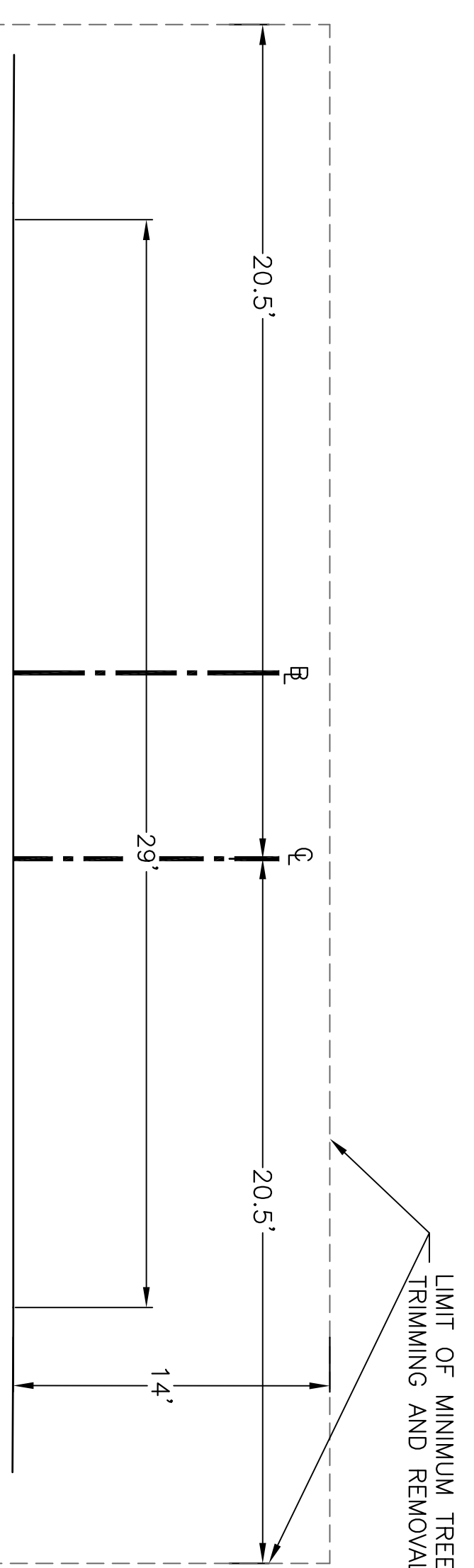
TYPICAL ALUMINUM GRADING WALKWAY
CROSS SECTION
STA 210+00 TO 210+29



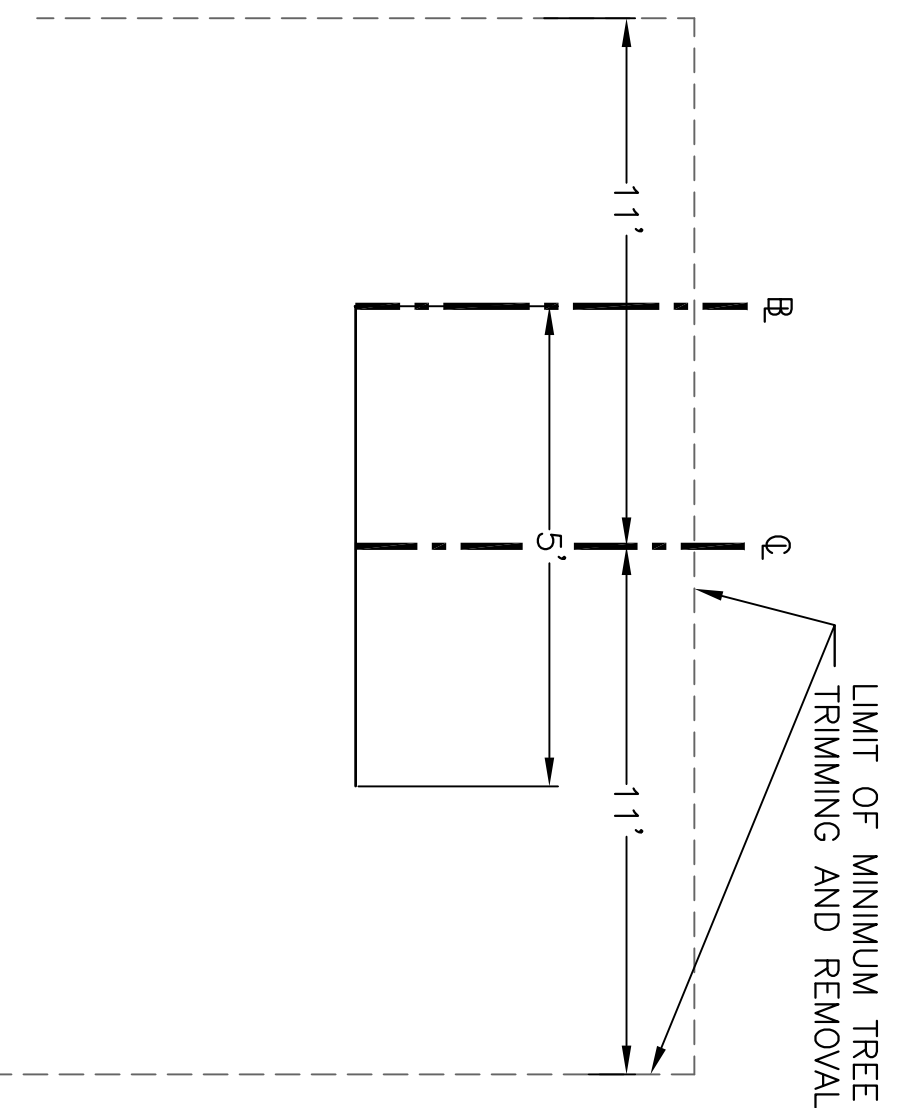
TYPICAL TIMBERSIL BOAT DISPLAY
CROSS SECTION
STA 210+29 TO 210+71



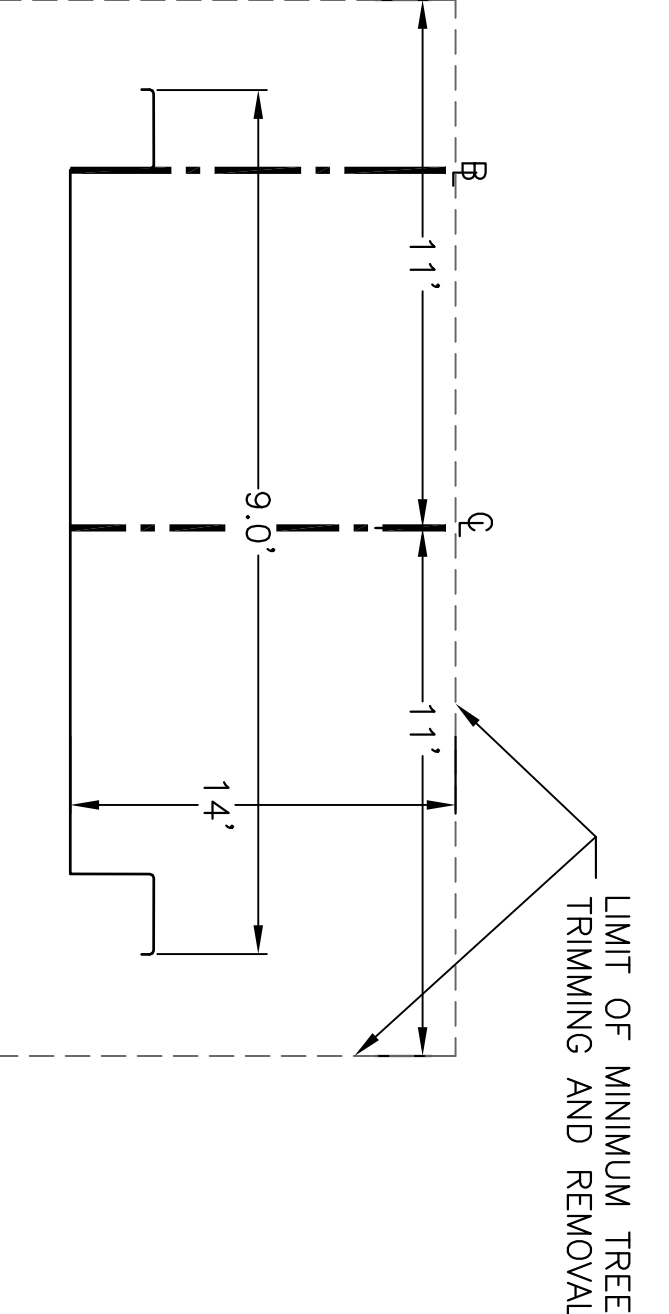
TYPICAL FLOATING TOWPATH
CLEARANCE
STA 207+78 TO 208+11



TYPICAL CANAL BOAT GRAPHIC IN PAVING
CLEARANCE
STA 209+00 TO 209+67



TYPICAL ALUMINUM GRADING WALKWAY
CLEARANCE
STA 210+00 TO 210+29



TYPICAL TIMBERSIL BOAT DISPLAY
CLEARANCE
STA 210+29 TO 210+71

PAVEMENT NOTES

- FULL-DEPTH CANAL BOAT GRAPHIC SECTIONS:
 SURFACE COURSE: 4" CONCRETE PAVERS OVER
 INTERMEDIATE COURSE: 3" SAND/ASPHALT SETTING BED OVER
 BASE COURSE: 5" CONCRETE BASE OVER
 8" DENSE GRADED CRUSHED STONE