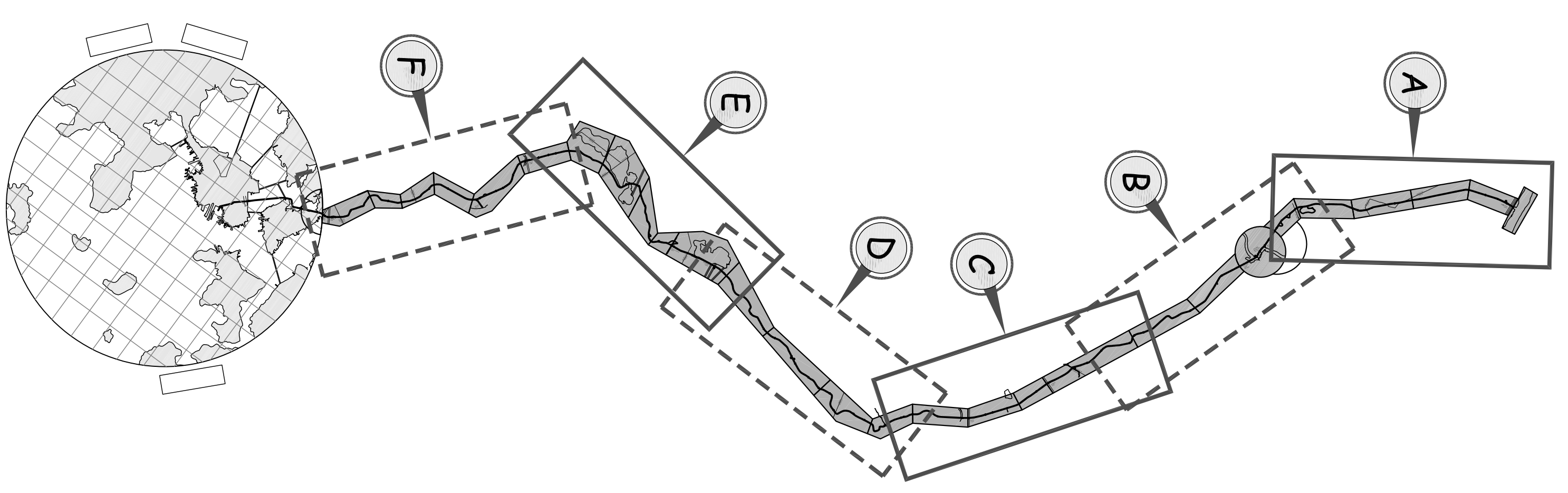
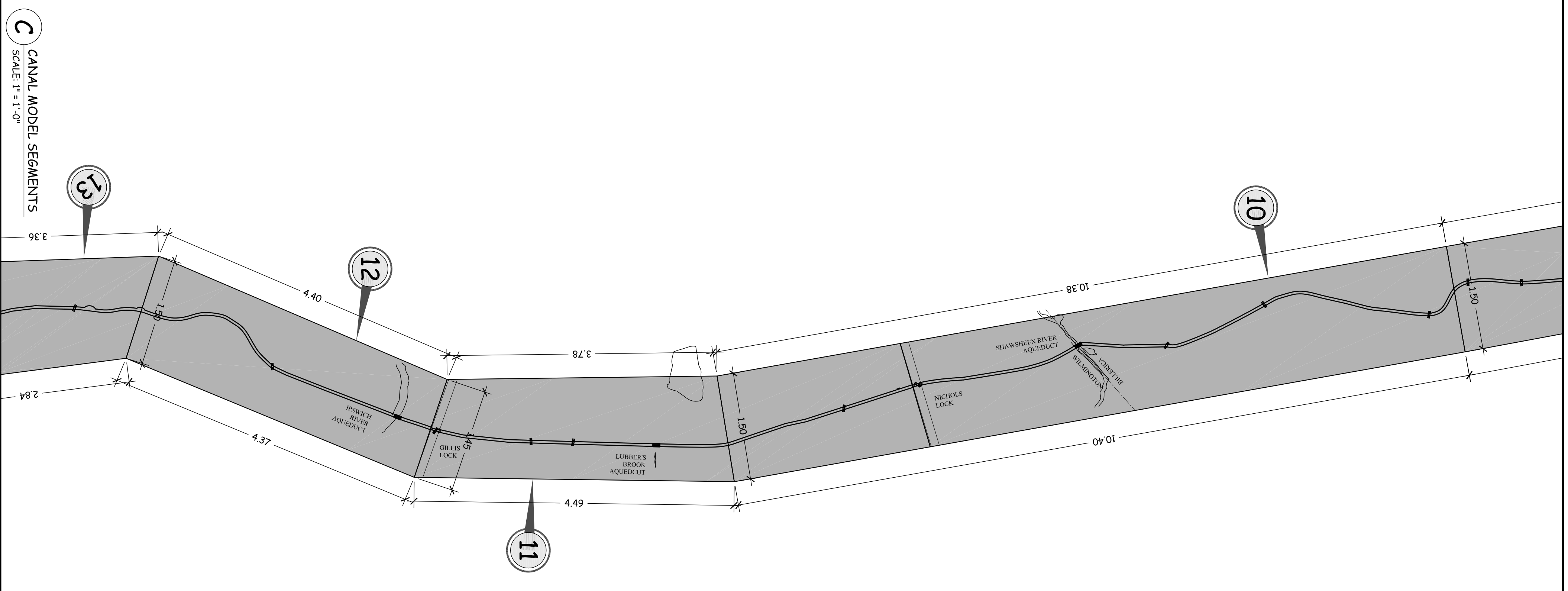
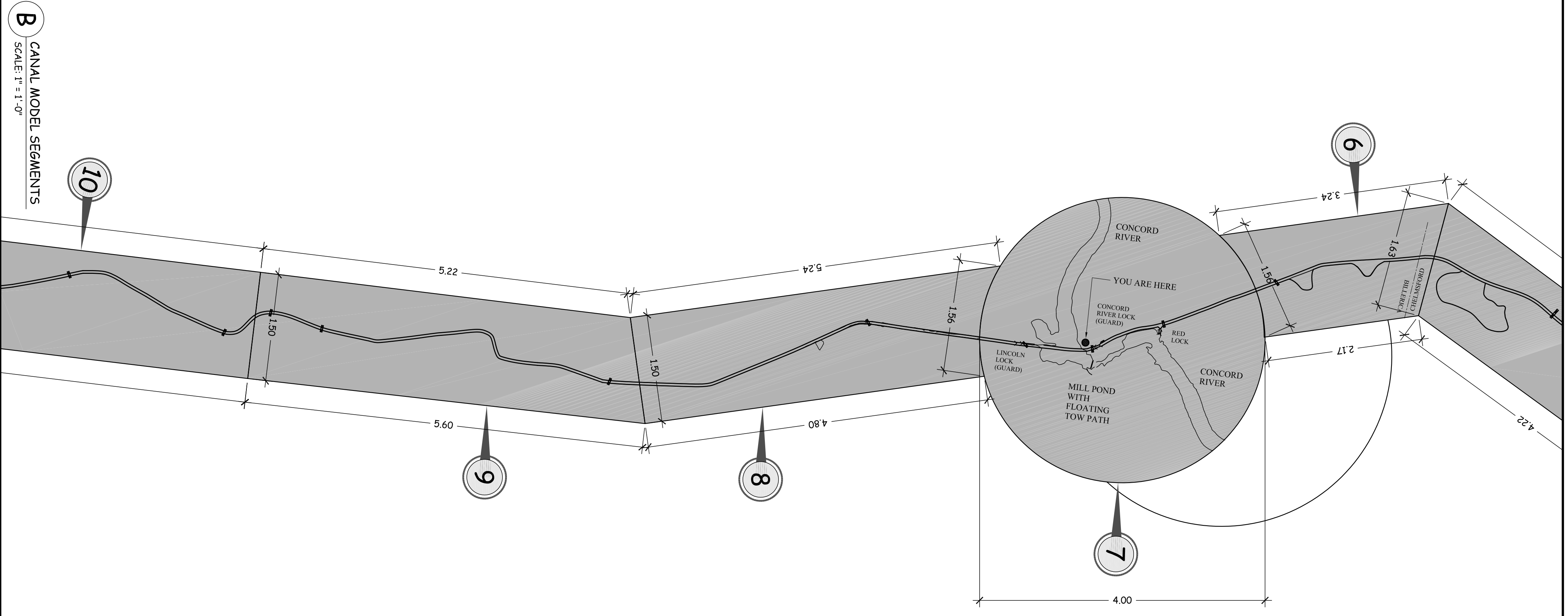
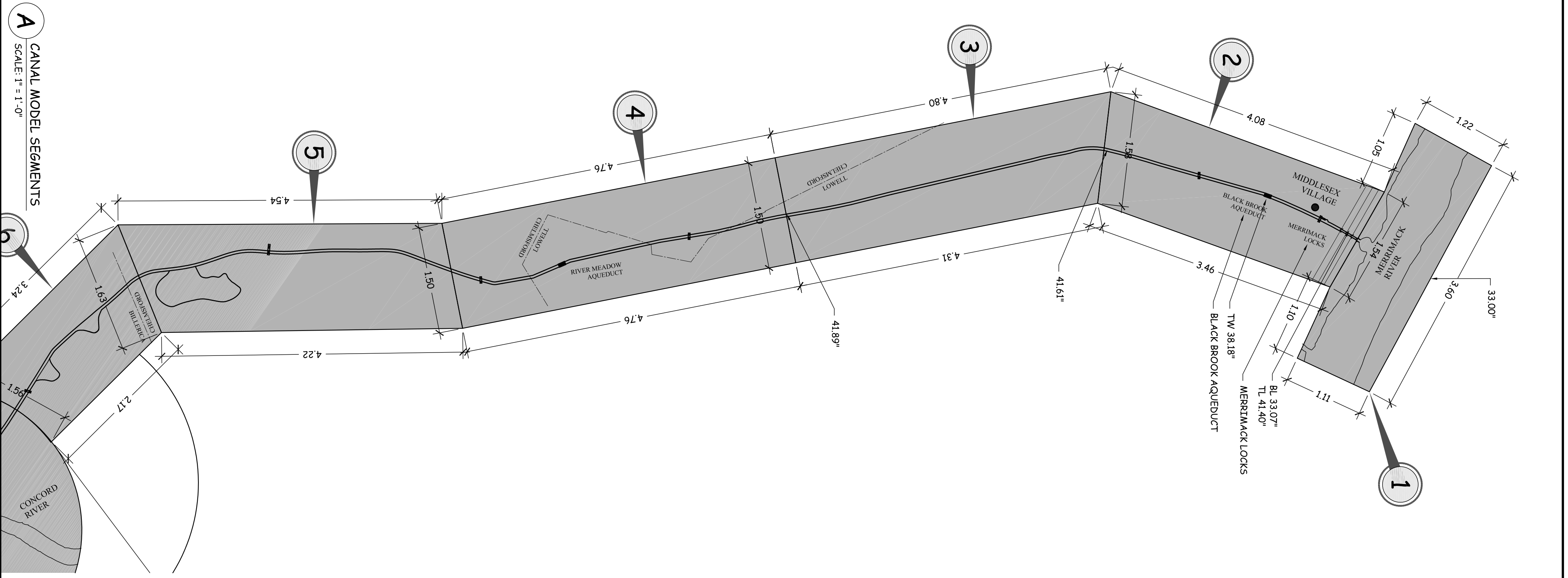


BILLERICA			
MIDDLESEX CANAL PARK			
STATE	FED. AID PROJ. NO.	SHEET NO.	TOTAL SHEETS
MASS.		42	50
PROJECT FILE NO. 602845			

CONSTRUCTION DETAILS AREA 3



1 CANAL MODEL KEY PLAN
SCALE: 1/8" = 1'-0"

A CANAL MODEL SEGMENTS
SCALE: 1" = 1'-0"

B CANAL MODEL SEGMENTS
SCALE: 1" = 1'-0"

C CANAL MODEL SEGMENTS
SCALE: 1" = 1'-0"