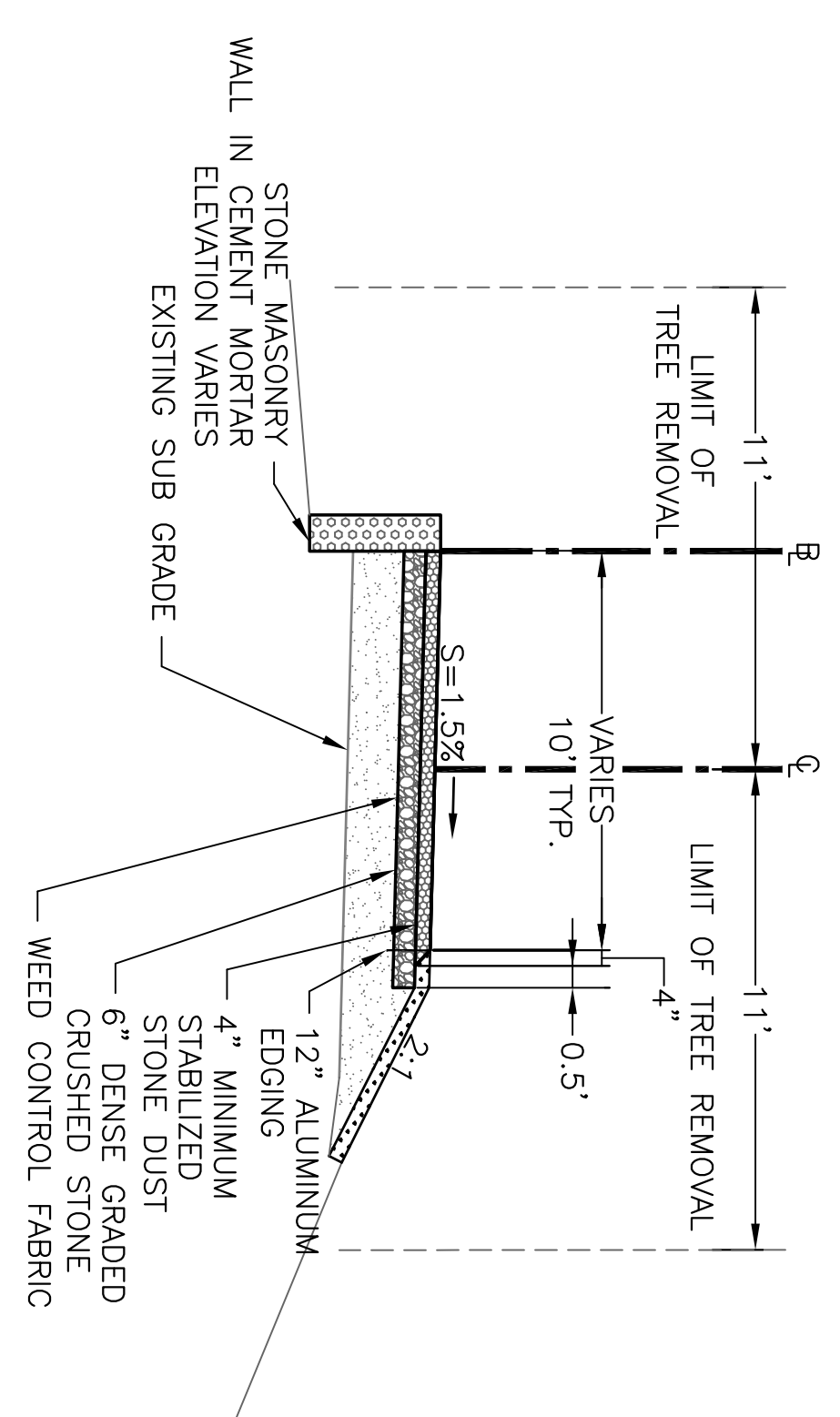
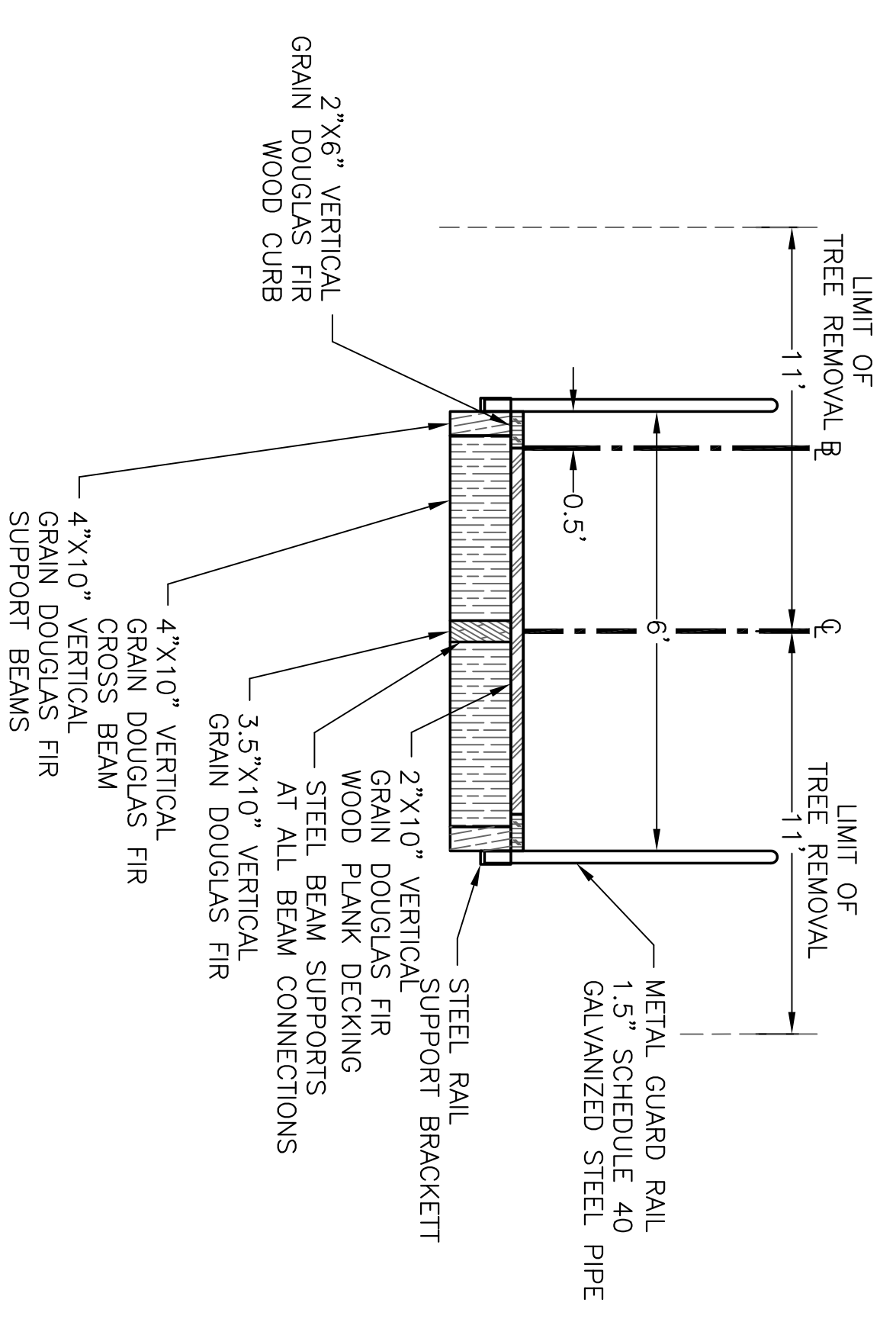


MIDDLESEX CANAL PARK			
BILLERICA		PROJECT FILE NO. 602946	
STATE	FED. AID PROJ. NO.	SHEET NO.	TOTAL SHEETS
MASS		5	50

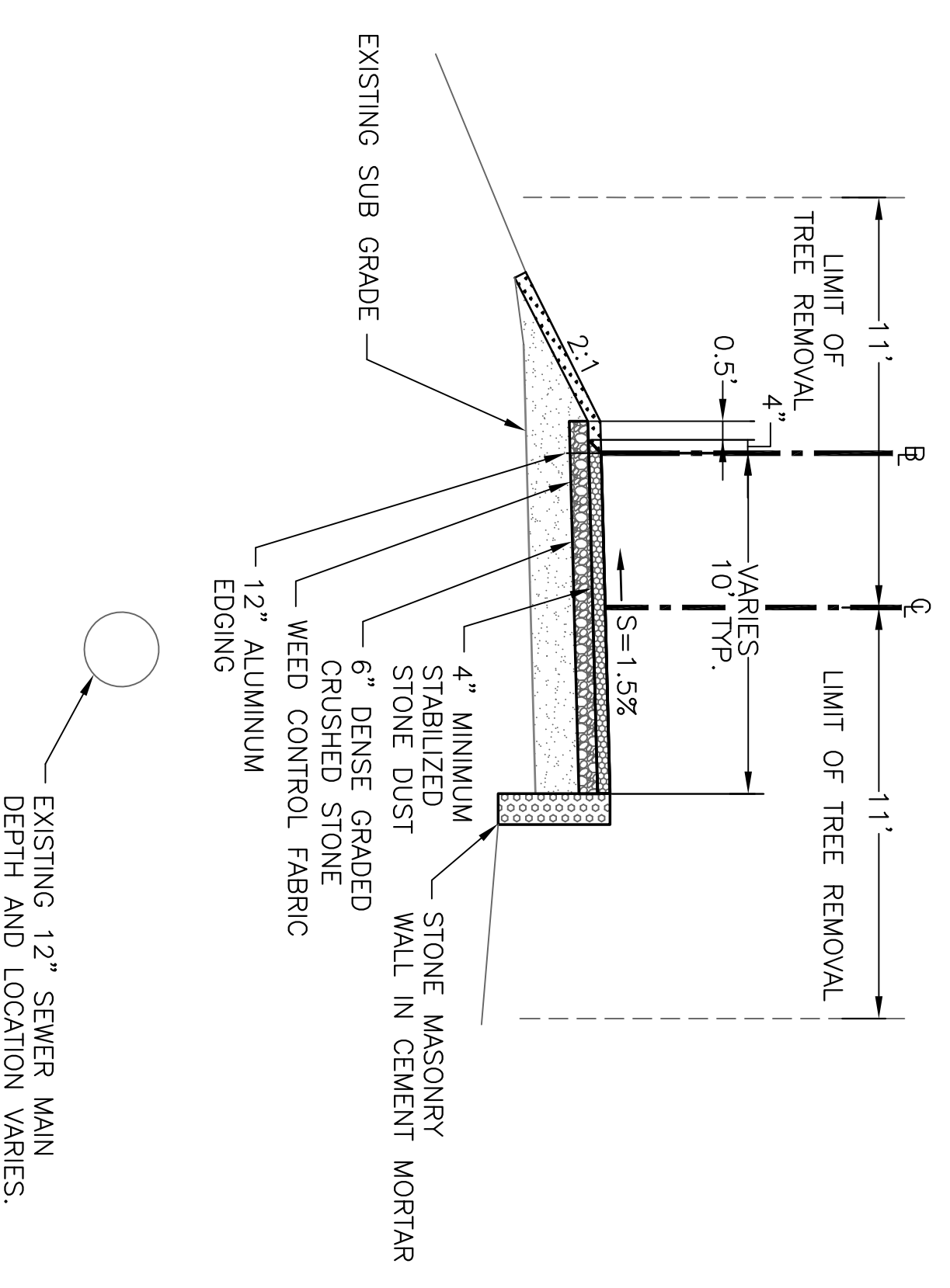
TYPICAL SECTIONS AREA 1



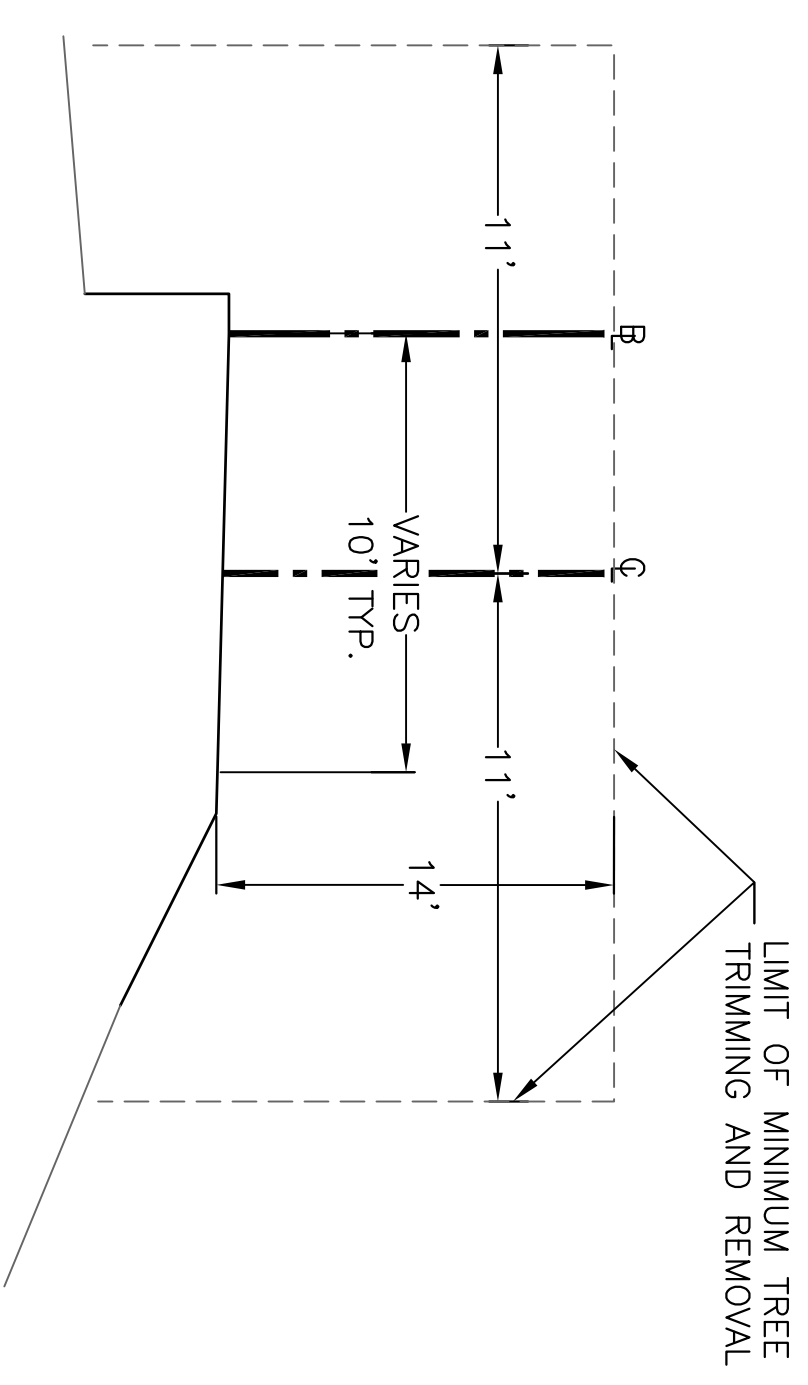
TYPICAL TOWPATH
CROSS SECTION STA 6+58 TO 7+66



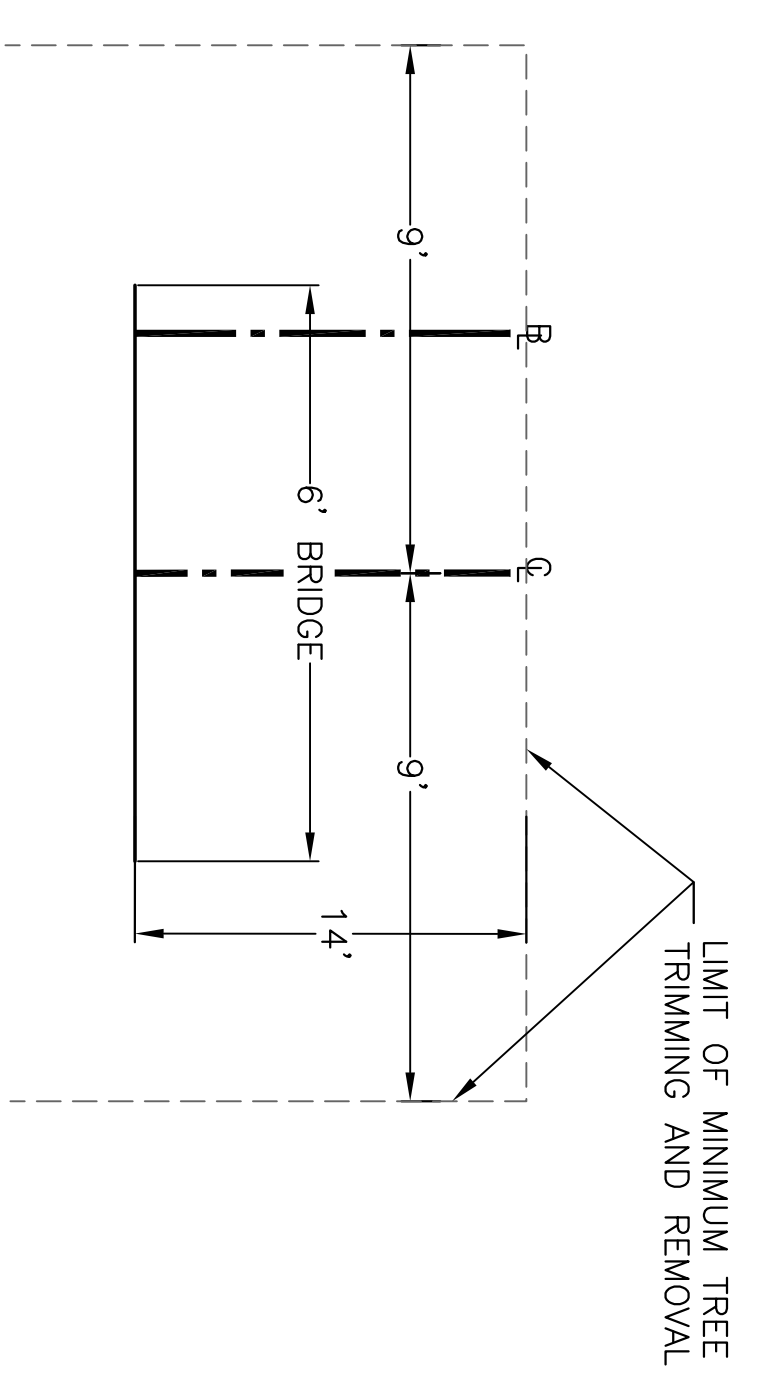
TYPICAL BRIDGE OVER LOCK
CROSS SECTION STA 7+66 TO 7+87



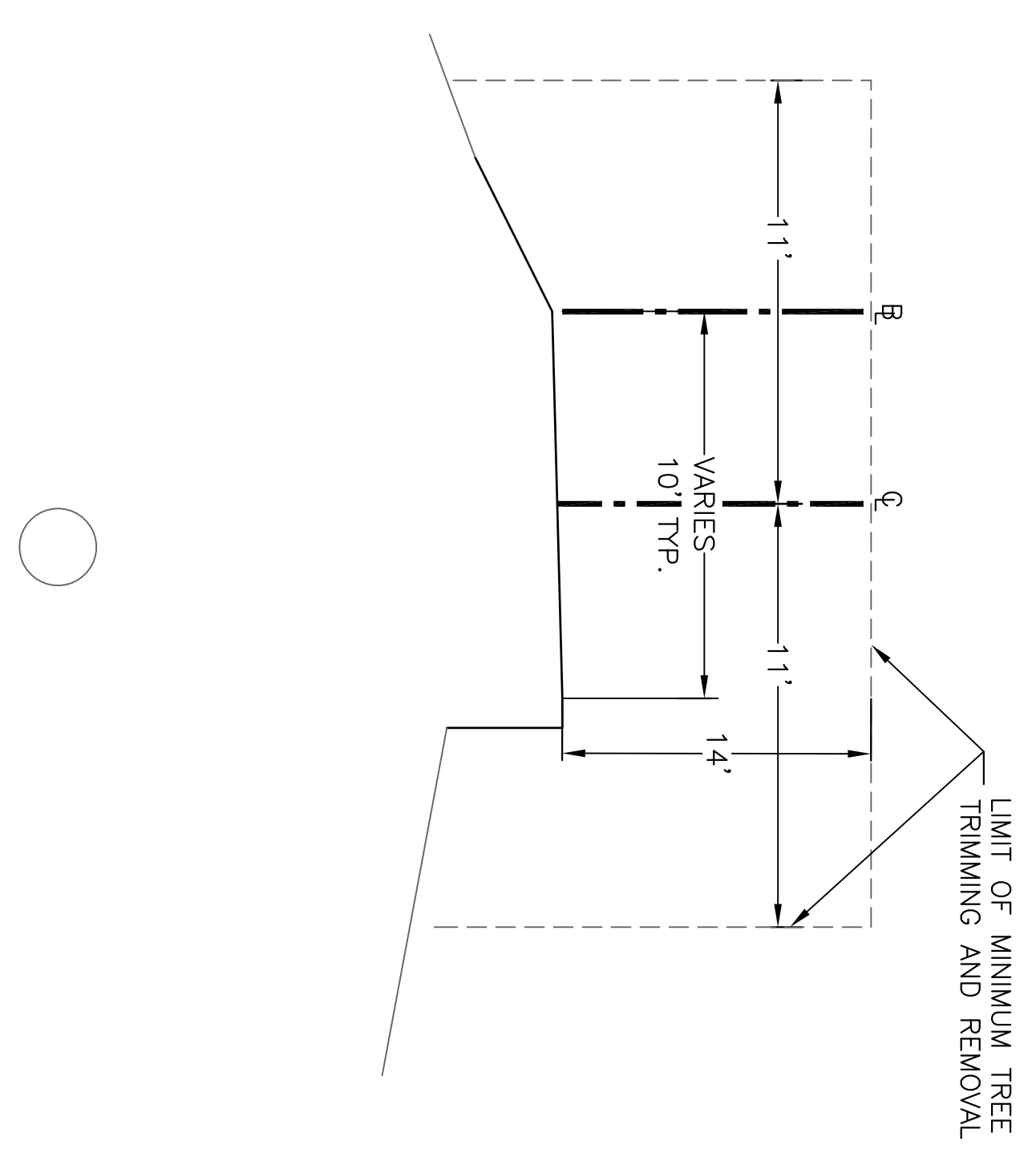
TYPICAL TOWPATH
CROSS SECTION STA 7+87 TO 8+50



TYPICAL TOWPATH
CLEARANCE STA 6+58 TO 7+66



TYPICAL BRIDGE OVER LOCK
CLEARANCE STA 7+66 TO 7+87



TYPICAL TOW PATH
CLEARANCE STA 7+87 TO 8+50

PAVEMENT NOTES

- FULL-DEPTH TOWPATH SECTIONS:
SURFACE COURSE: 4" MINIMUM STABILIZED STONEDUST OVER
BASE MATERIAL: 6" DENSE GRADED CRUSHED STONE