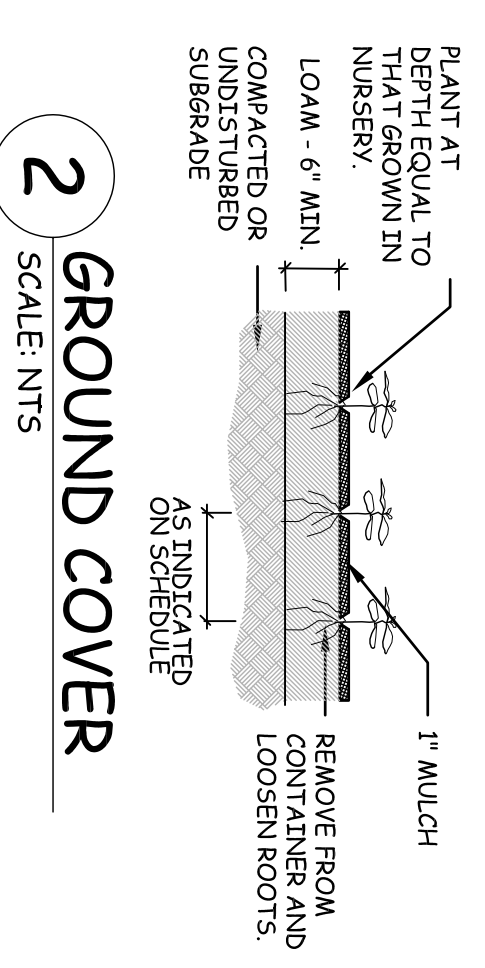
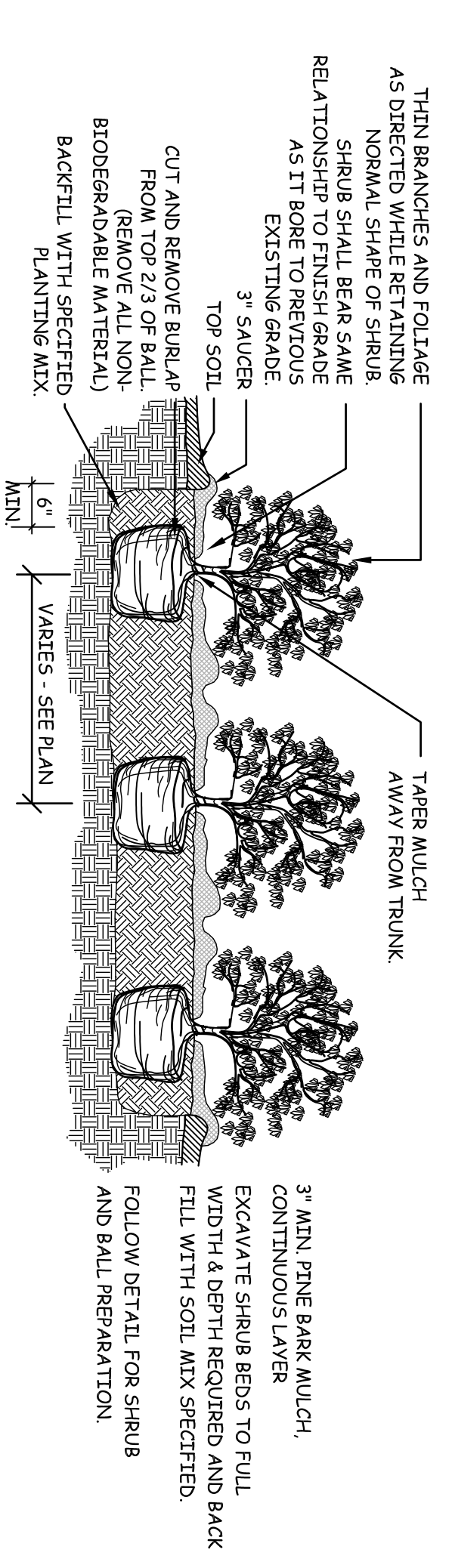




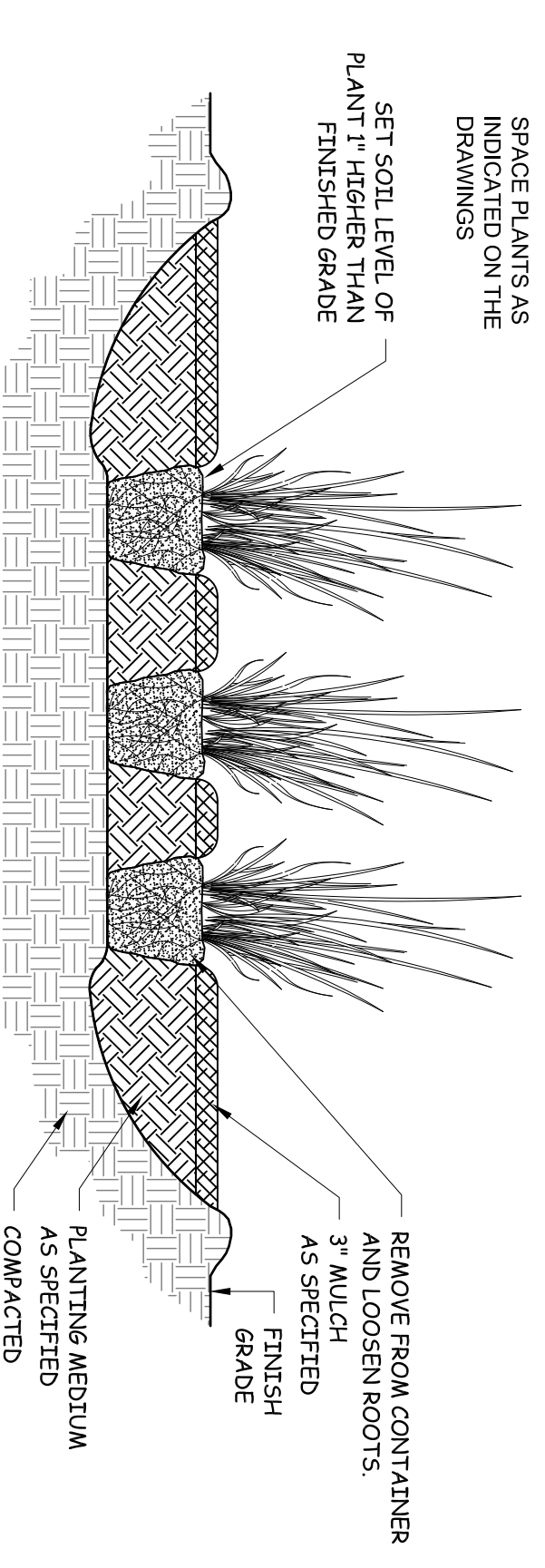
1 TREE PLANTING
SCALE: NTS



2 GROUND COVER
SCALE: NTS



3 SHRUB BED PLANTING
SCALE: NTS



4 PERENNIAL/ORNAMENTAL GRASS PLANTING
SCALE: NTS

BILLERICA
MIDDLESEX CANAL PARK

STATE	FED. AID PROJ. NO.	SHEET TOTAL
MASS.		50
PROJECT FILE NO. 002945		SHEETS
		50

CONSTRUCTION DETAILS
COMMON DETAILS