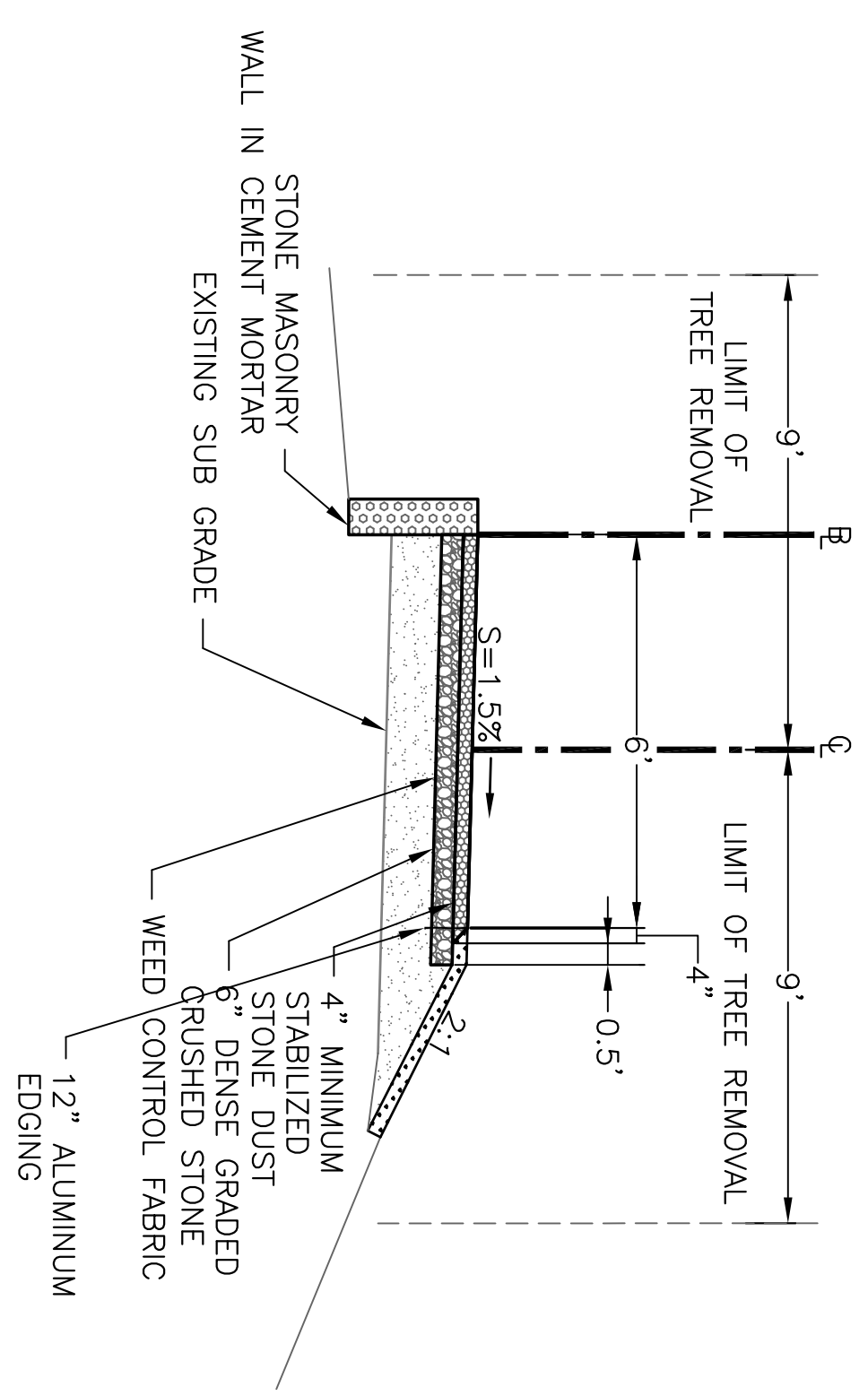
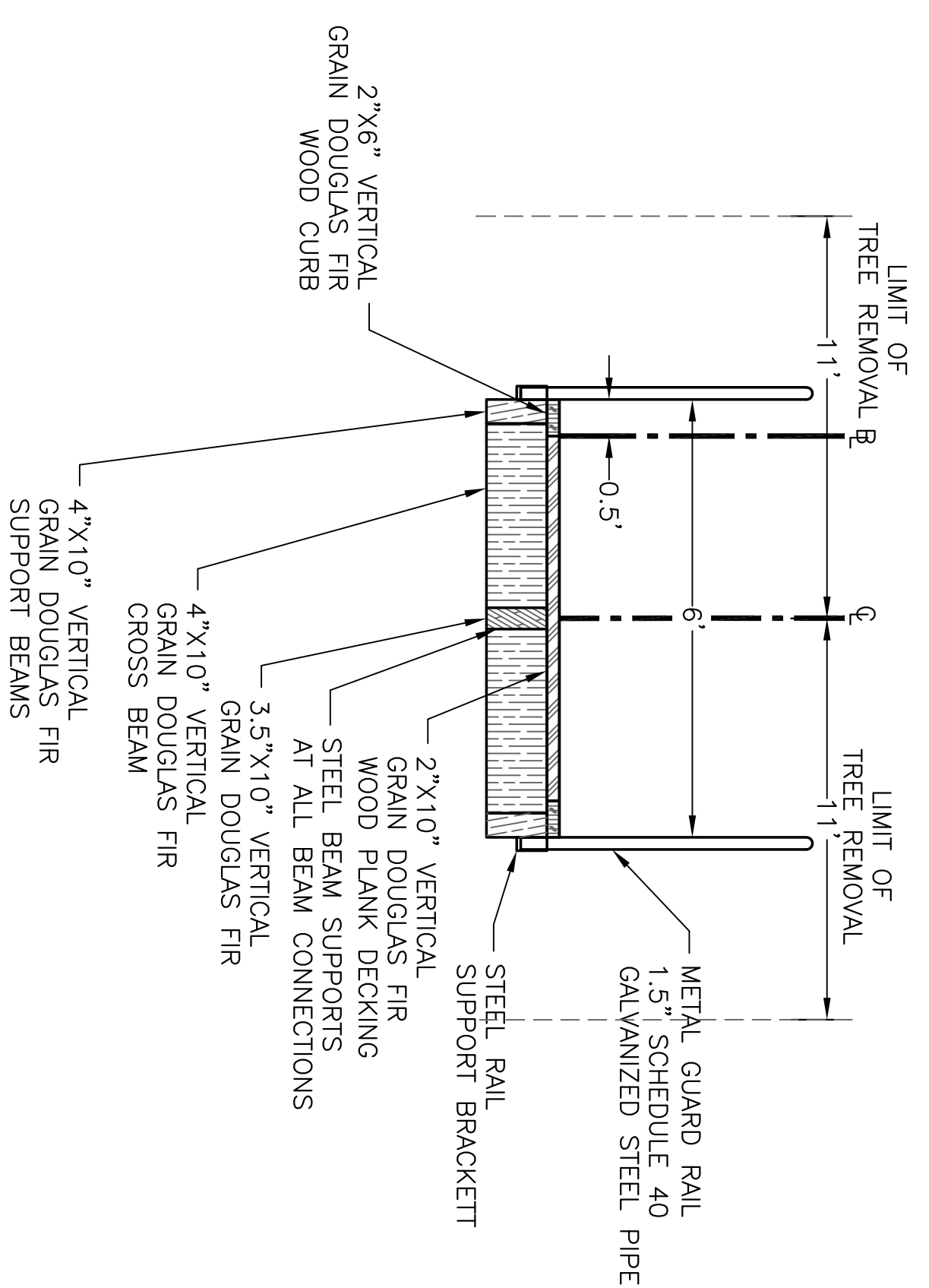


BILLERICA			
MIDDLESEX CANAL PARK			
STATE	FED. AID PROJ. NO.	SHEET NO.	TOTAL SHEETS
MASS		6	50
PROJECT FILE NO. 602946			

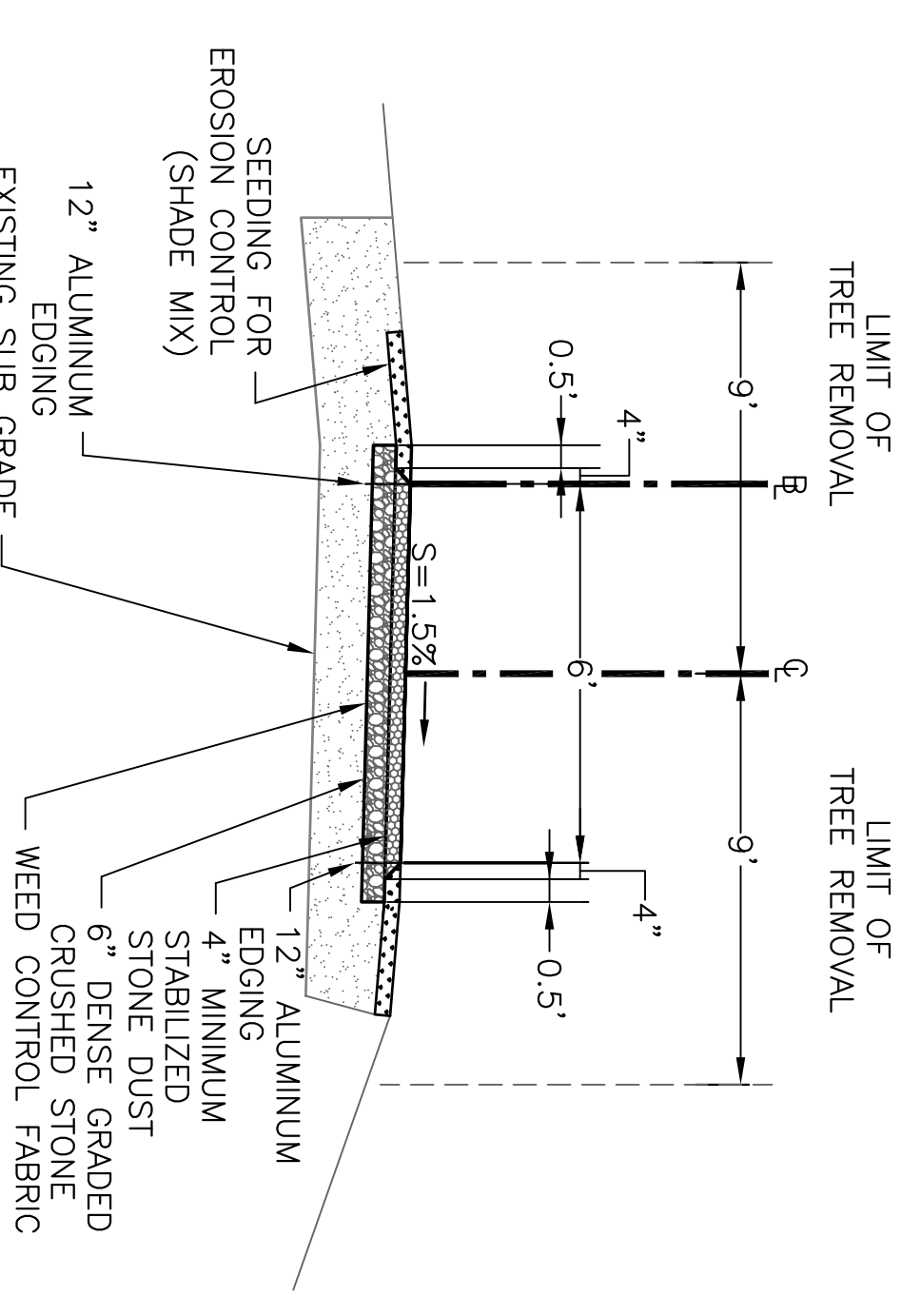
TYPICAL SECTIONS AREA 1



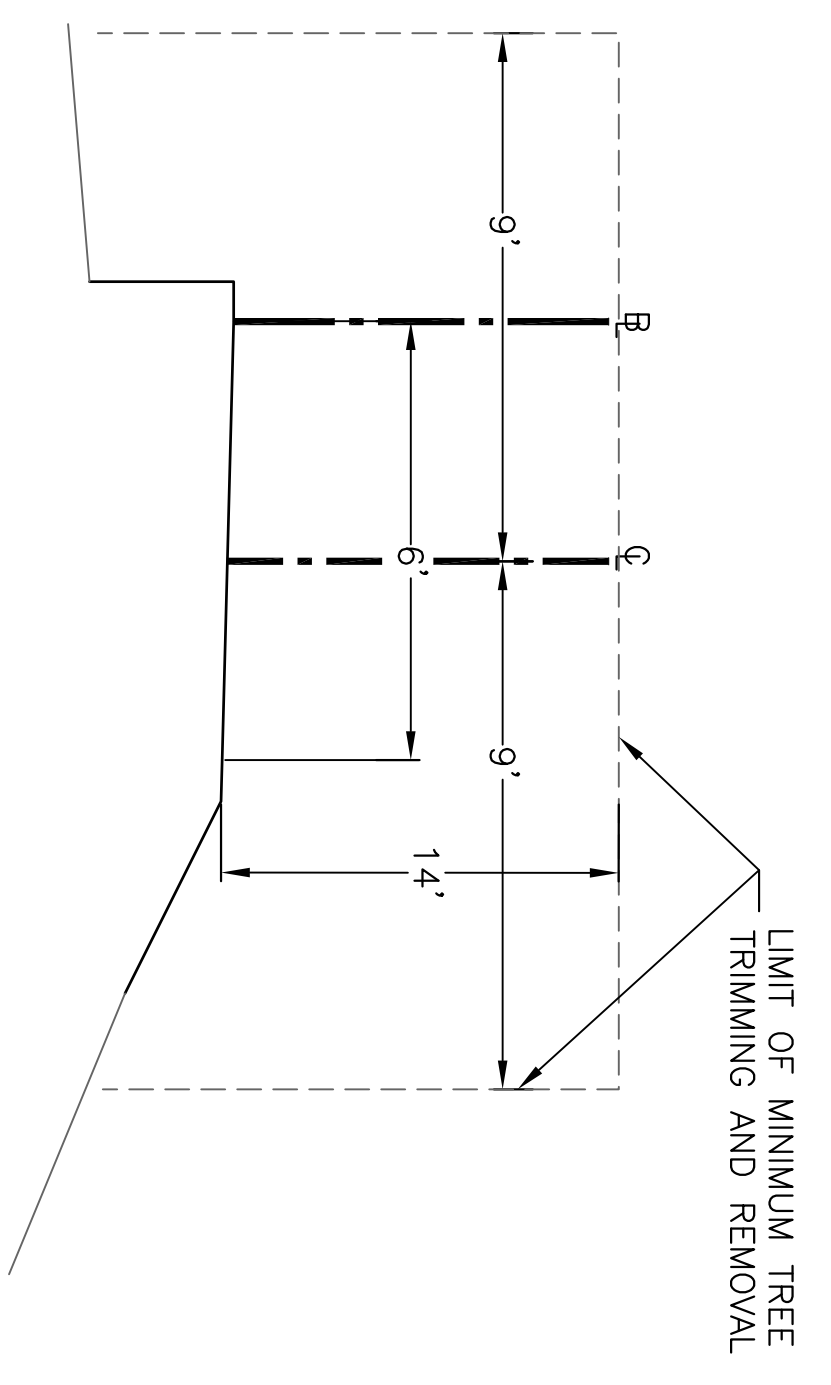
TYPICAL TOWPATH  
CROSS SECTION STA 9+00 TO 9+61



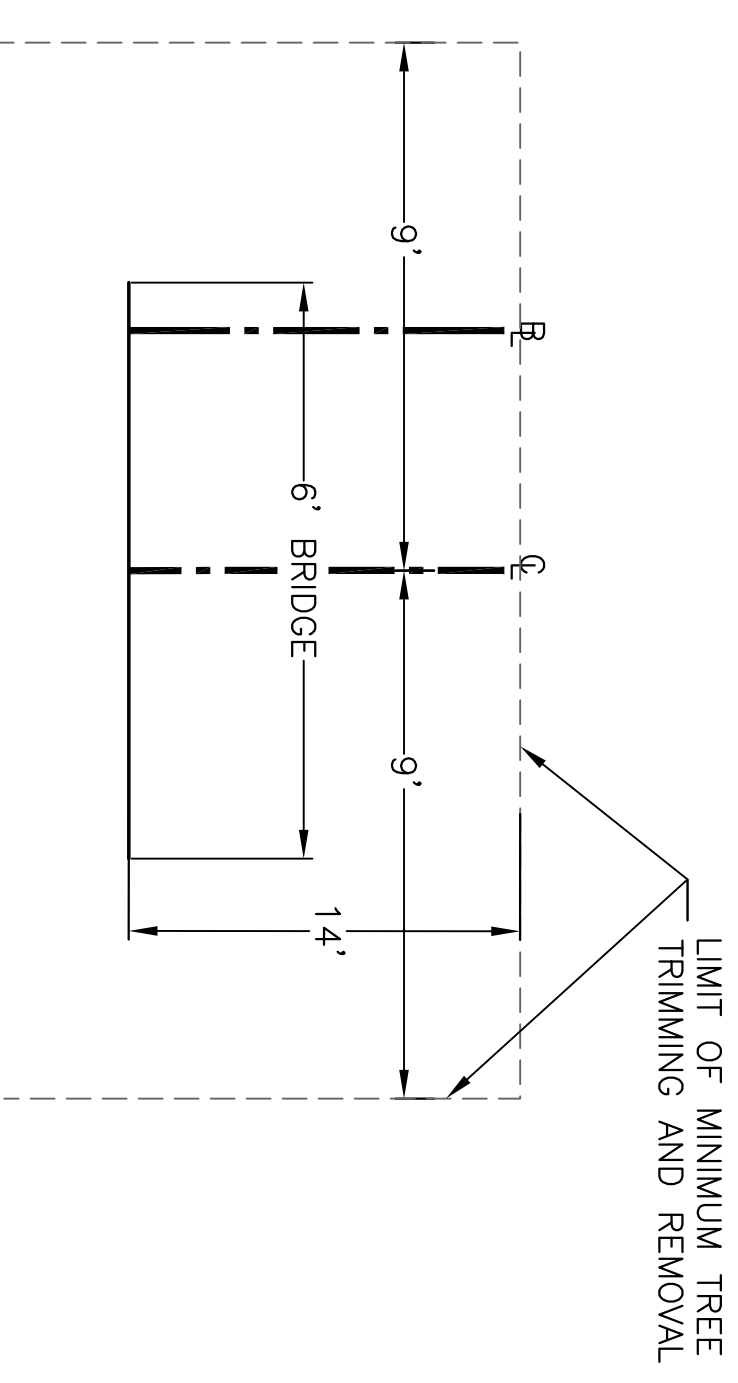
TYPICAL BRIDGE OVER LOCK  
CROSS SECTION STA 9+61 TO 9+73



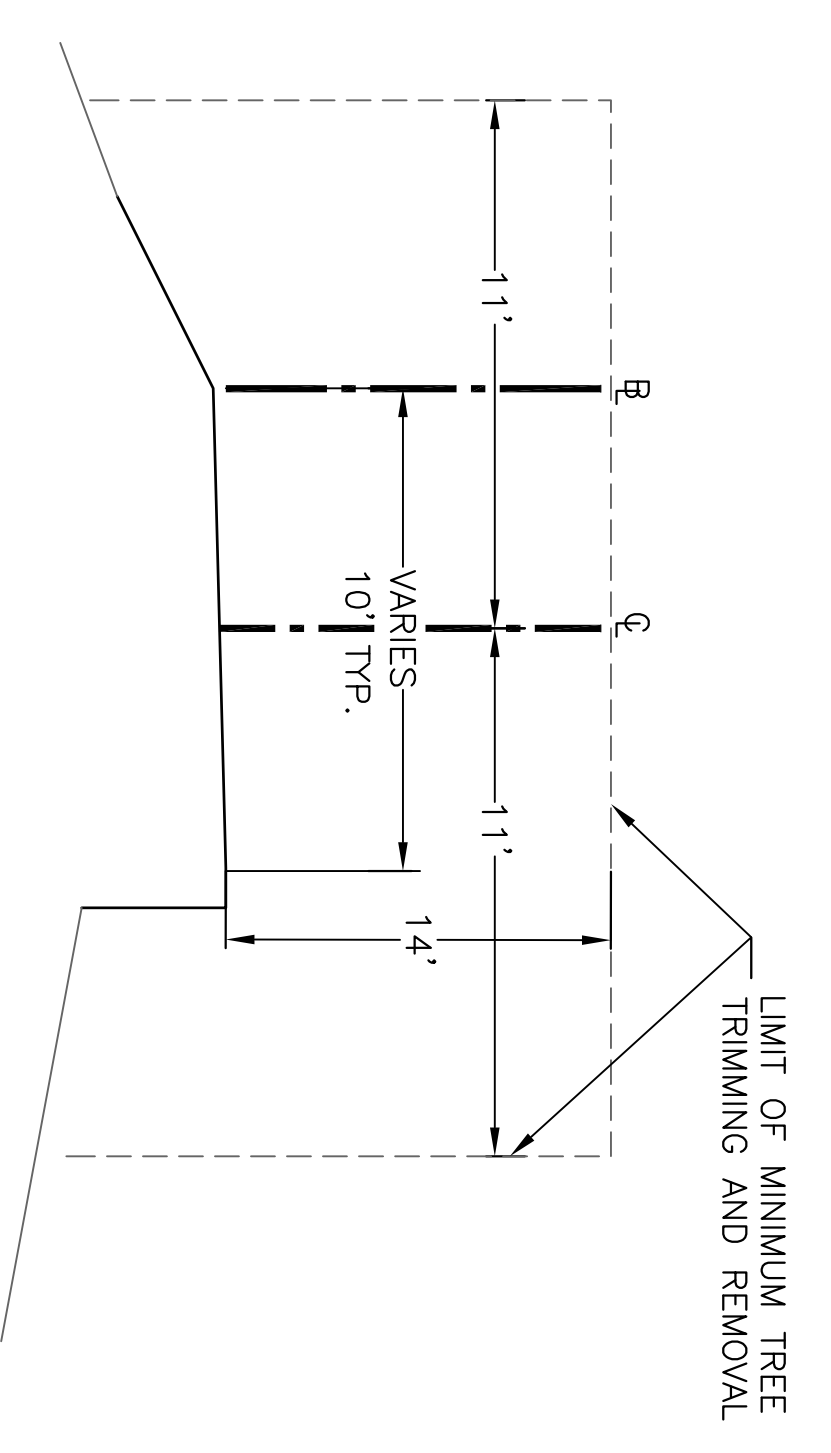
TYPICAL TOWPATH  
CROSS SECTION STA 10+00 TO 10+49



TYPICAL TOWPATH  
CLEARANCE STA 9+00 TO 9+61



TYPICAL BRIDGE OVER LOCK  
CLEARANCE STA 9+61 TO 9+73



TYPICAL TOWPATH  
CLEARANCE STA 10+00 TO 10+49

PAVEMENT NOTES

- FULL-DEPTH TOWPATH SECTIONS:
- SURFACE COURSE: 4" MINIMUM STABILIZED STONEDUST OVER
- BASE MATERIAL: 6" DENSE GRADED CRUSHED STONE